

DATA SHEET

SV 500/1

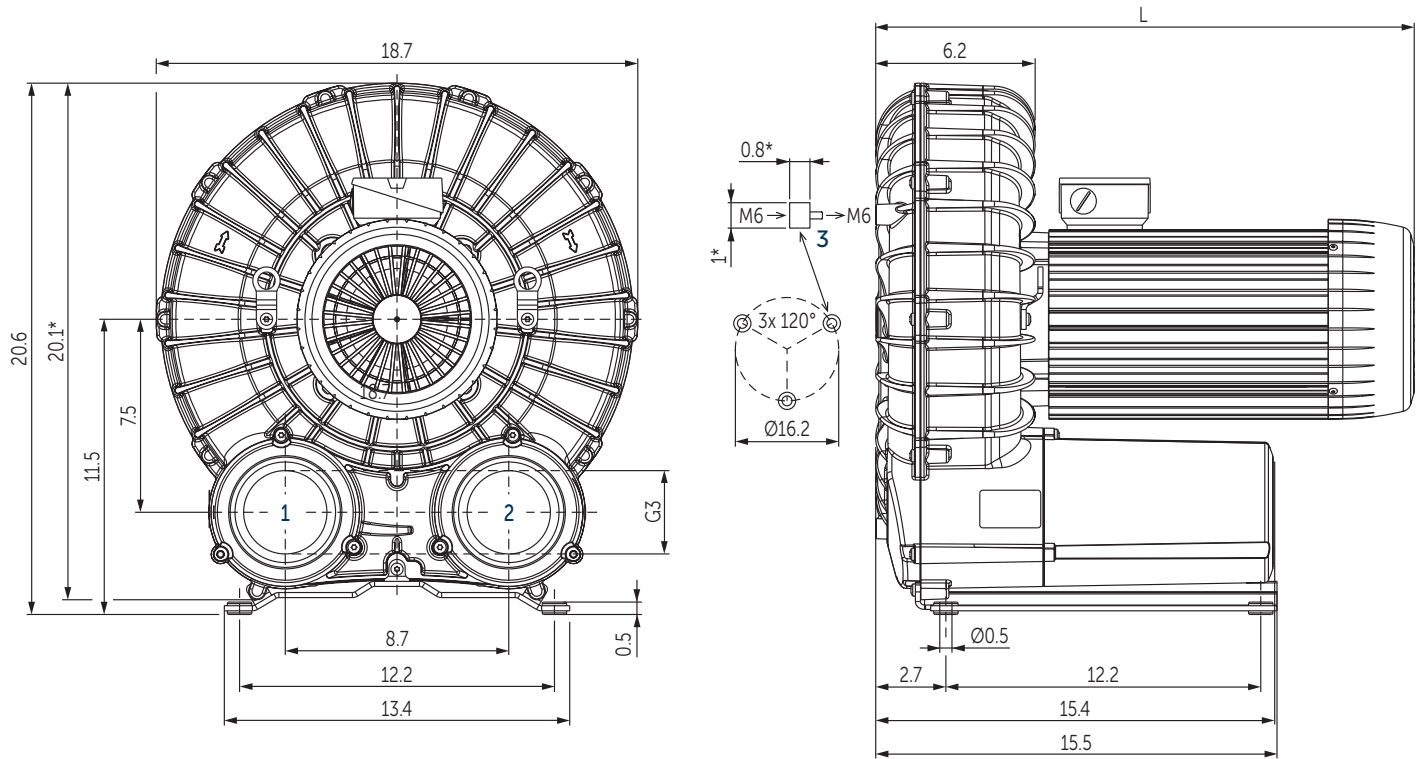
SIDE CHANNEL BLOWERS

single stage

air-cooled

MAKE IT BECKER.





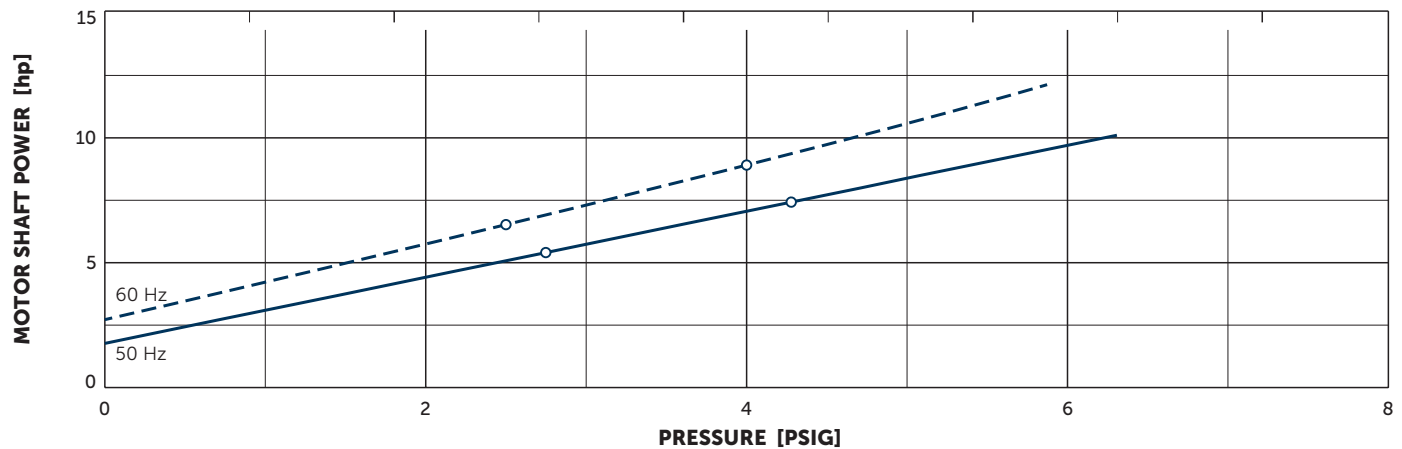
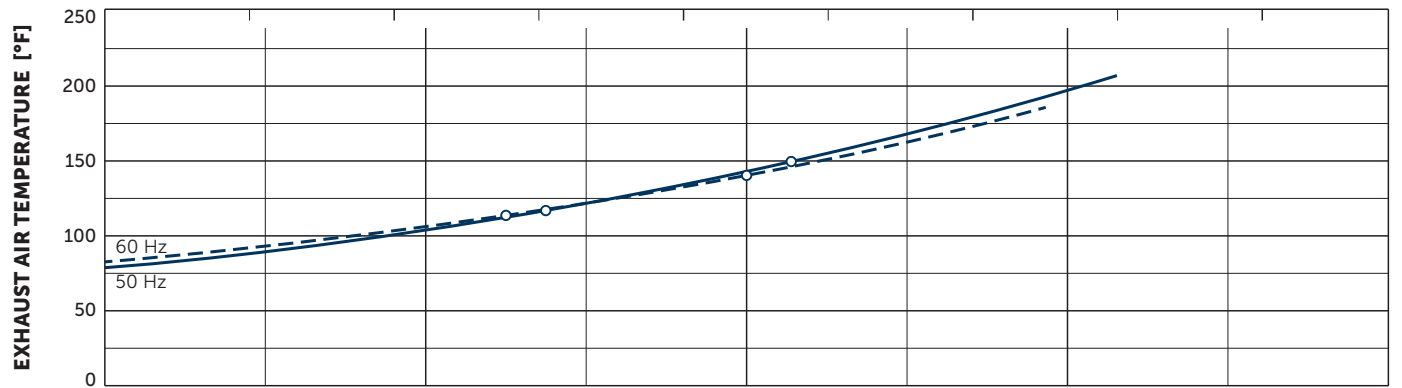
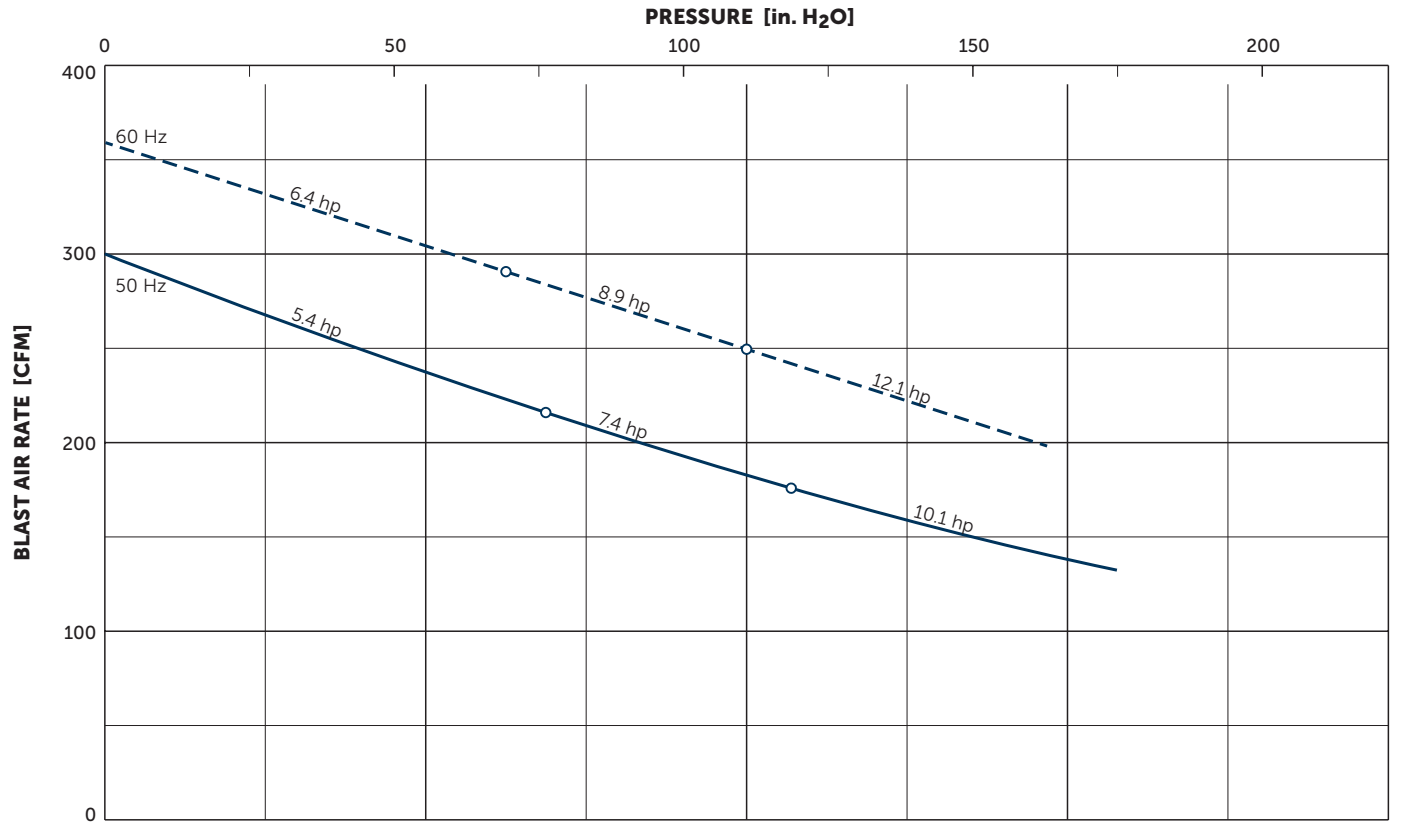
- 1 Vacuum connection (G3)
- 2 Pressure connection (G3)
- 3 Rubber buffer position (optional)
- * Device dimensions without pedestal under the silencer, with rubber buffers on the enclosure cover
- The motor illustration may vary
- Dimensions in inch

Blast air rate		Pressure				Motors		Emission sound pressure level ¹⁾		Weight with motor
CFM		in. H ₂ O		PSIG		hp		dB(A)		lbs
50 Hz	60 Hz	50 Hz	60 Hz	50 Hz	60 Hz	50 Hz	60 Hz	50 Hz	60 Hz	
300	359	76.4	70.4	2.8	2.5	5.4	6.4	71.6 (90.5 in. H ₂ O)	74.1 (88.5 in. H ₂ O)	133.8–136.0
300	359	118.6	110.6	4.3	4.0	7.4	8.9	71.6 (90.5 in. H ₂ O)	74.1 (88.5 in. H ₂ O)	147.0
300	359	174.9	162.8	6.3	5.9	10.1	12.1	75.4 (124.6 in. H ₂ O)	77.4 (120.6 in. H ₂ O)	166.5

¹⁾ According to DIN EN ISO 11203, accuracy class of measurement: class 2, extended measurement uncertainty: 3 dB
39.4 inch distance, at medium load, both connection sides piped

3~ Motors											L	
#	50 Hz					60 Hz					Version	inch
	hp	V	IE3	rpm	A	hp	V	IE3	rpm	A		
01	5.4	Δ230/Y400	IE3	2930	14.6/8.4	6.4	Δ265/Y460	IE3	3520	14.3/8.25	UL • CSA IP55 • ISO F • bimetal	19.5
							Δ230/Y400		3490	15.4/8.85		
02						6.4	YY230/Y460	IE3	3530	15.5/7.7	UL • CSA • CC IP55 • ISO F • bimetal	19.5
							YY208	IE3	3500	16.6		
03	5.4	Δ200/Y350	IE3	2930	16.6/9.6	6.4	Δ220/Y380–400	IE3	3520	16.6/9.6–9.45	IP55 • ISO F • bimetal	19.5
							Δ200/Y350	IE3	3490	17.7/10.1		
04						6.4	Δ400	IE3	3530	9.0	UL • CSA • CC IP55 • ISO F • bimetal	19.5
05	7.4	Δ400/Y690	IE3	2930	11.9/6.9	8.9	Δ460	IE3	3520	11.5	UL • CSA IP55 • ISO F • bimetal	20.9
						7.4	Δ400/Y690	IE3	3520	10.2/5.9		
06						8.9	Δ230/Y400	IE3	3496	20.6/11.9	UL • CSA • CC IP55 • ISO F • bimetal	20.8
							Δ265/Y460	IE3	3528	19.9/11.5		
							Δ208		3470	22.5		
07	7.4	Δ200/Y350	IE3	2935	26.9/15.4	8.9	Δ220/Y380–400	IE3	3530	24.0/13.9–14.3	IP55 • ISO F • bimetal	20.9
							Δ200/Y350	IE3	3500	24.7/14.1		
08						8.9	Δ400/Y690	IE3	3524	14.2/8.3	UL • CSA • CC IP65 • ISO F • bimetal	20.6
09	10.1	Δ400/Y690	IE3	2940	16.1/9.3	12.1	Δ460	IE3	3535	15.7	UL • CSA IP55 • ISO F • bimetal	23.6
							Δ400/Y690	IE3	3505	16.3/9.45		
10						12.1	YY230/Y460	IE3	3545	28.9/17.4	UL • CSA • CC IP55 • ISO F • bimetal	23.6
							YY208		3485	31.0		
11	10.1	Δ200/Y350	IE3	2945	38.1/21.8	12.1	Δ220/Y380–400	IE3	3540	32.8/19.0–20.0	IP55 • ISO F • bimetal	23.6
							Δ200/Y350	IE3	3520	33.3/19.1		
12						12.1	Δ400	IE3	3520	17.2	UL • CSA • CC IP55 • ISO F • bimetal	23.6

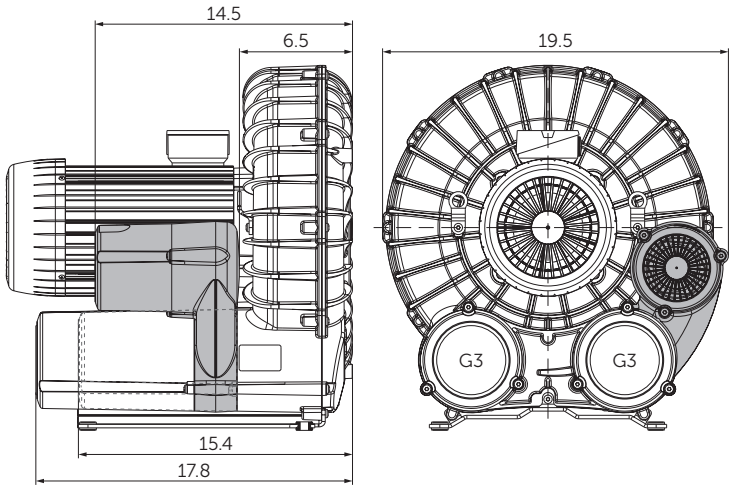
• Type plate data on current consumption and rotation speed of the motors may vary. Tolerance -1.5/+2% in each case.



Reference data (atmosphere): 0 PSIG, 68°F; Tolerance: ±10%
 Temperature: Ambient air 14°F ... 104°F, Inlet air 32°F ... 104°F

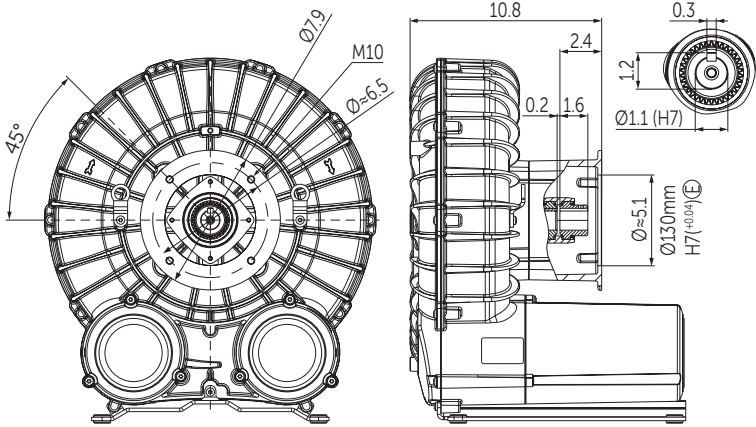
+ VARIANTS AND ACCESSORIES

PRESSURE SAFETY VALVE



WITHOUT MOTOR

- With coupling for flange motor
- The motor must be supported!



OTHER VARIANTS AND ACCESSORIES

- External suction filter
- With increased corrosion protection
- VARIAIR SV 500/1 with frequency inverter VAU11-22/3 for 100 Hz operation¹⁾
- Sound proof box SH 18¹⁾ – Not with 10.1/12.1 hp motors!

¹⁾ See separate data sheet
 ▪ Dimensions in inch – For other dimensions, see the figure on page 2.
 ▪ Possible combinations on request



Sound proof box SH 18



MAKE IT BECKER.