

DATA SHEET

SV 300/1

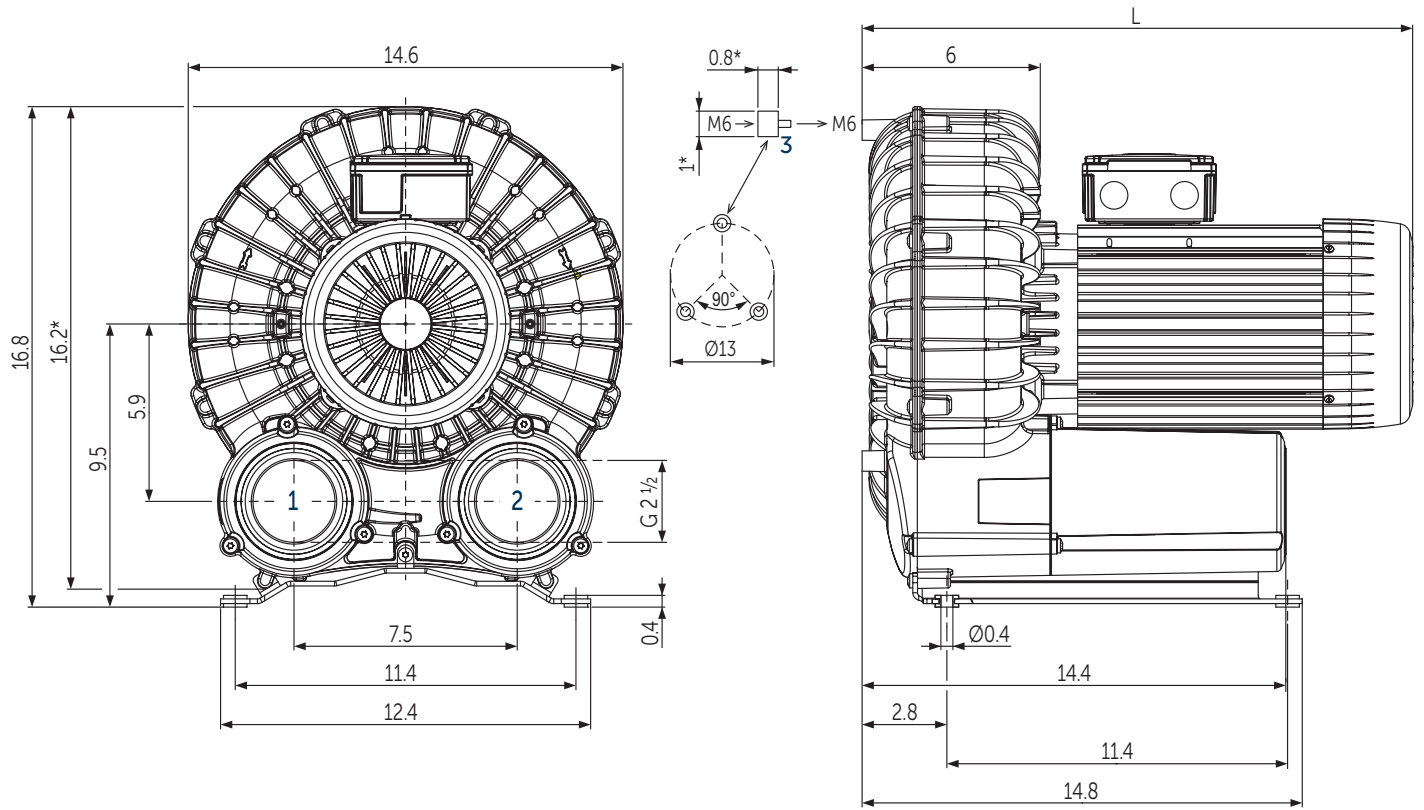
SIDE CHANNEL VACUUM PUMPS

single stage

air-cooled

MAKE IT BECKER.





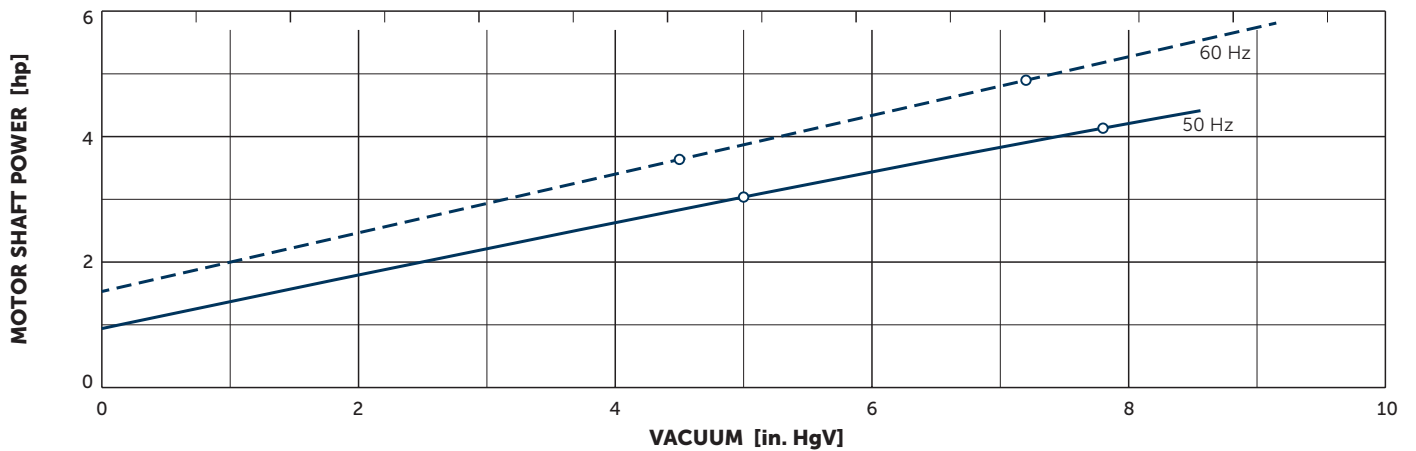
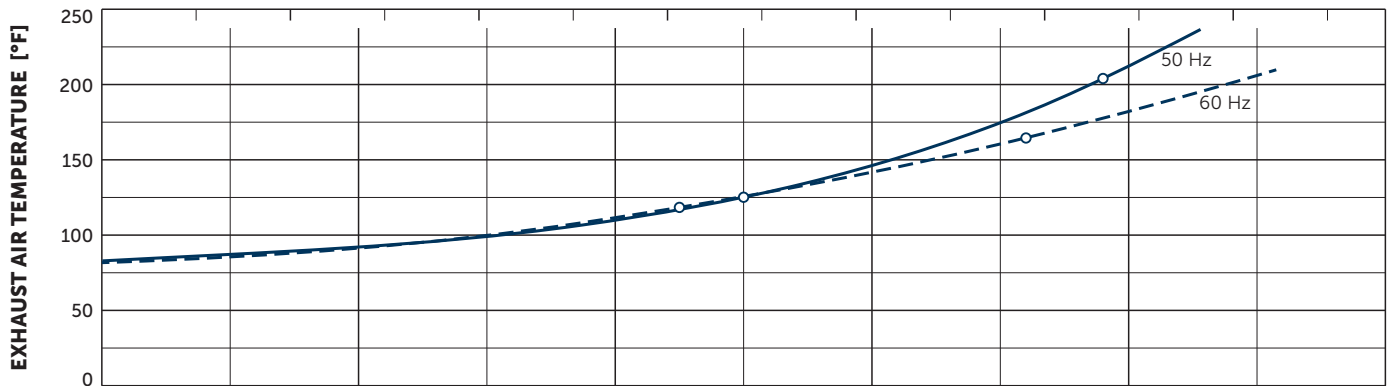
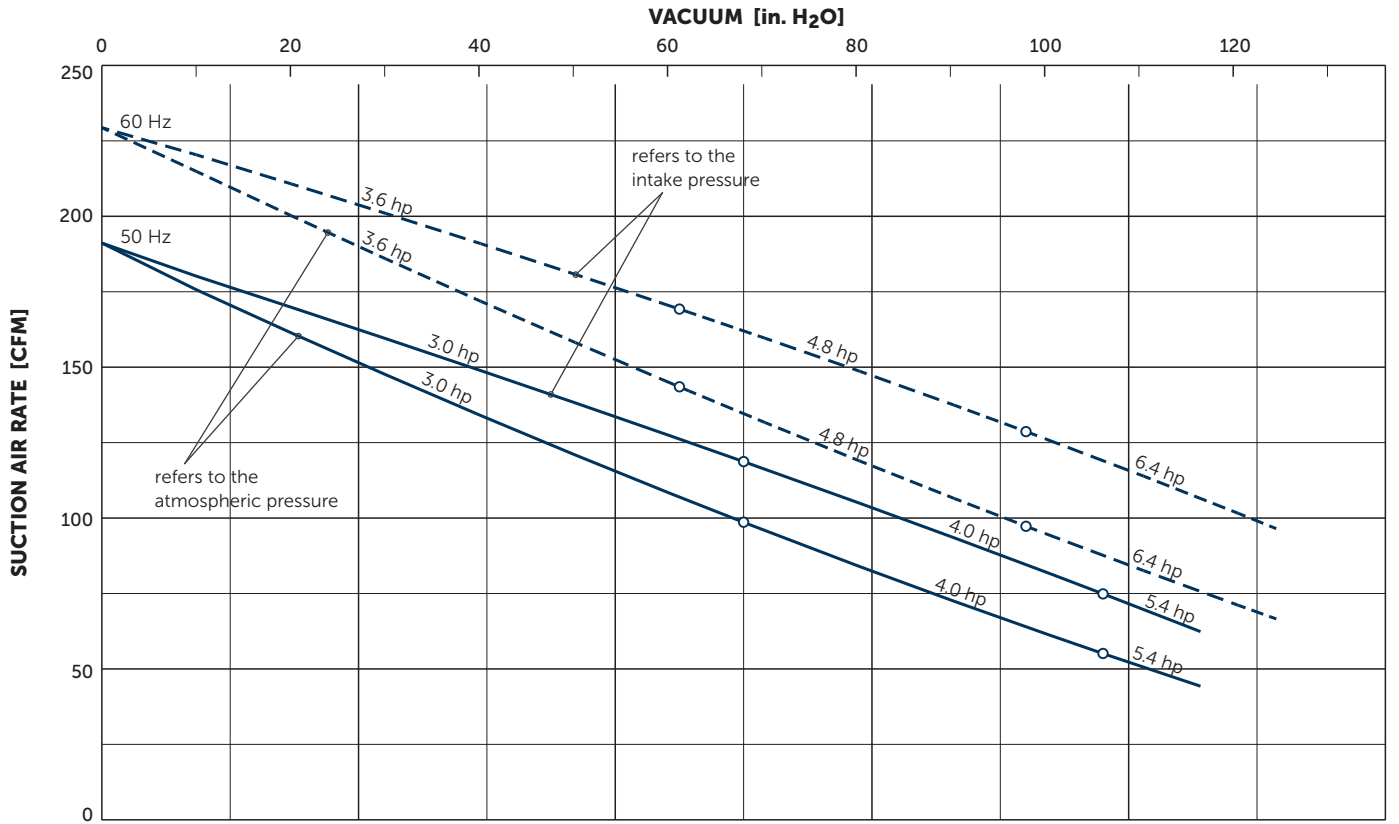
- 1 Vacuum connection (G2½)
- 2 Pressure connection (G2½)
- 3 Optional vibration dampers (rubber buffer) for vertical installation
- * Device dimensions without pedestal under the silencer, with rubber buffers on the enclosure cover
- The motor illustration may vary
- Dimensions in inch

| Suction air rate | | Vacuum | | | | Motors | | Emission sound pressure level ¹⁾ | | Weight with motor | L |
|------------------|-------|----------------------|-------|---------|-------|--------|-------|---|-------------------------------------|-------------------|------|
| CFM | | in. H ₂ O | | in. HgV | | hp | | dB(A) | | lbs | inch |
| 50 Hz | 60 Hz | 50 Hz | 60 Hz | 50 Hz | 60 Hz | 50 Hz | 60 Hz | 50 Hz | 60 Hz | | |
| 191 | 229 | 68.3 | 62.3 | 5.0 | 4.5 | 3.0 | 3.6 | 67.3 (46.2 in. H ₂ O) | 68.3 (40.2 in. H ₂ O) | 88.5 | 18.5 |
| 191 | 229 | 106.5 | 98.4 | 7.8 | 7.2 | 4.0 | 4.8 | 70.1 (72.4 in. H ₂ O) | 71.0 (66.3 in. H ₂ O) | 94.0 | 19.5 |
| 191 | 229 | 116.5 | 124.6 | 8.5 | 9.1 | 5.4 | 6.4 | 71.4 (82.4 in. H ₂ O) | 72.7 (78.4 in. H ₂ O) | 120.5 | 21.2 |

¹⁾ According to DIN EN ISO 11203, accuracy class of measurement: class 2, extended measurement uncertainty: 3 dB
39.4 inch distance, at medium load, both connection sides piped

| 3~ Motors | | | | | | | | | | | |
|-----------|-------|-----------|-----|------|----------|-------|----------------------------|-----|--------------|----------------------------|---|
| # | 50 Hz | | | | | 60 Hz | | | | | Version |
| | hp | V | IE3 | rpm | A | hp | V | IE3 | rpm | A | |
| 01 | 3.0 | Δ230/Y400 | IE3 | 2910 | 7.7/4.45 | 3.6 | Δ265/Y460 Δ230/Y400 | IE3 | 3510 3460 | 7.6/4.4 8.3/4.6 | UL • CSA IP55 • ISO F • bimetal |
| 02 | | | | | | 3.6 | YY230/Y460 YY208/Y – | IE3 | 3510 3460 | 8.6/4.3 9.2/ – | UL • CSA • CC IP55 • ISO F • bimetal |
| 03 | 4.0 | Δ230/Y400 | IE3 | 2890 | 10.6/6.1 | 4.8 | Δ265/Y460 Δ230/Y400 | IE3 | 3500 3460 | 10.6/6.1 11.6/6.7 | UL • CSA IP55 • ISO F • bimetal |
| 04 | | | | | | 4.8 | YY230/Y460 YY208/Y – | IE3 | 3510 3480 | 12.4/6.2 13.0/ – | UL • CSA • CC IP55 • ISO F • bimetal |
| 05 | 4.0 | Δ200/Y350 | IE3 | 2920 | 13.9/8.0 | 4.8 | Δ220/Y380–400 Δ200/Y350 | IE3 | 3500 3470 | 12.6/7.3 13.2/7.6 | IP55 • ISO F • bimetal |
| 06 | 5.4 | Δ230/Y400 | IE3 | 2930 | 14.6/8.4 | 6.4 | Δ265/Y460 Δ230/Y400 | IE3 | 3520 3490 | 14.3/8.25 15.4/8.85 | UL • CSA IP55 • ISO F • bimetal |
| 07 | | | | | | 6.4 | YY230/Y460 YY208/Y – | IE3 | 3520 3500 | 16.5/8.25 17.1/ – | UL • CSA IP55 • ISO F • bimetal |
| 08 | 5.4 | Δ200/Y350 | IE3 | 2930 | 16.6/9.6 | 6.4 | Δ220/Y380–400 Δ200/Y350 | IE3 | 3520 3490 | 16.6/9.6–9.45 17.7/10.1 | IP55 • ISO F • bimetal |

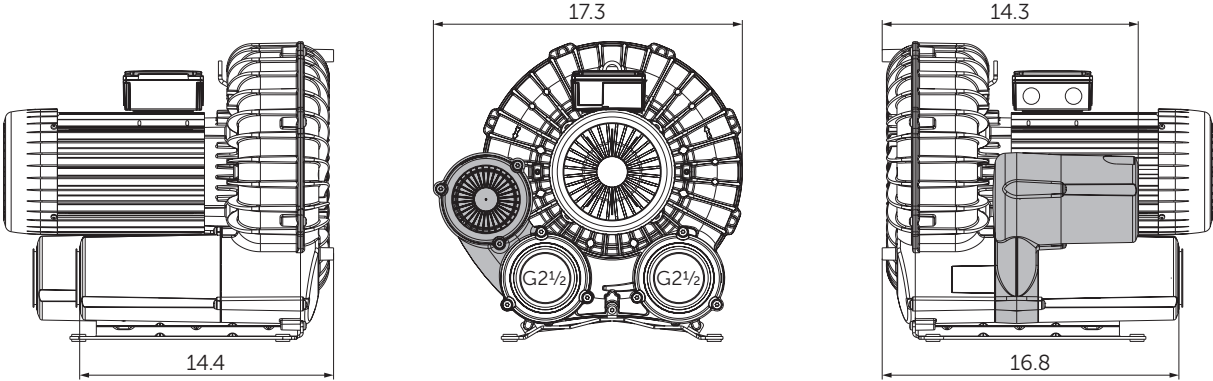
- Type plate data on current consumption and rotation speed of the motors may vary. Tolerance -1.5/+2% in each case.



Reference data (atmosphere): 0 in. HgV, 68°F; Tolerance: ±10%
 Temperature: Inlet air 32°F ... 104°F, Ambient air 14°F ... 104°F

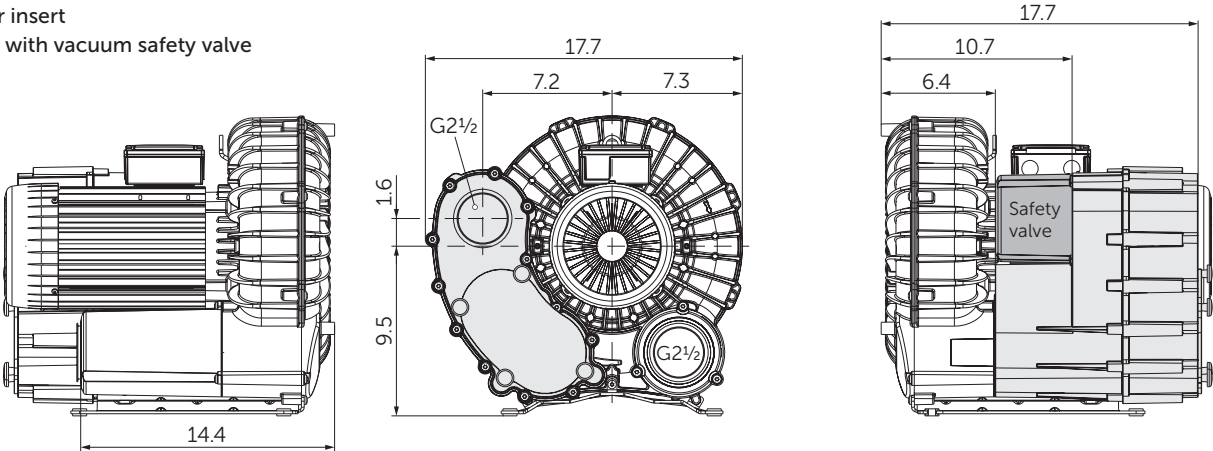
+ VARIANTS AND ACCESSORIES

VACUUM SAFETY VALVE



SUCTION FILTER

- Vacuum-sealed filter housing
- Paper or polyester insert
- Can be combined with vacuum safety valve

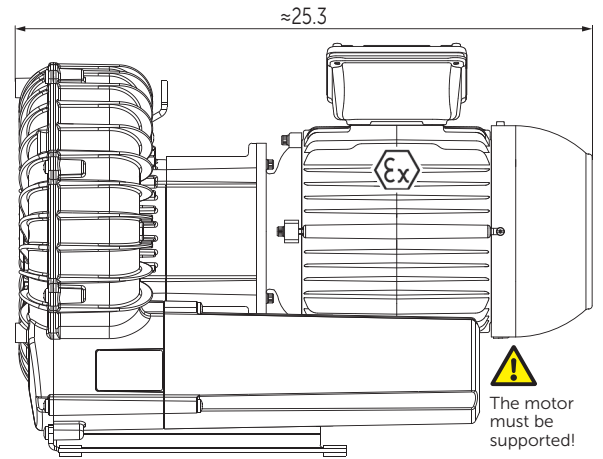


• Dimensions in inch – For other dimensions, see the figure on page 2.

SV 300/1 WITH ATEX MOTOR

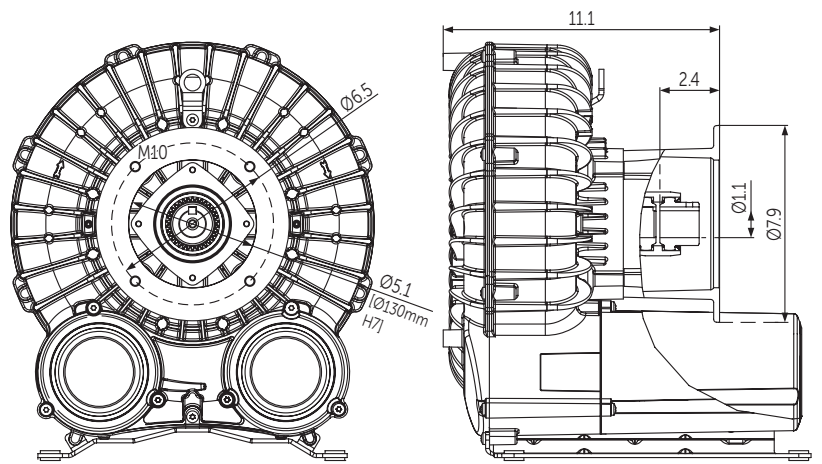
- With coupling for flange motor
- The motor must be supported!
- **Motor ATEX zone: Class 1 Div 2 Groups C&D II 1 G ia IIB**

| hp | 60 Hz | | A | Version |
|-----|-----------|------|-----------|-------------------|
| | V | rpm | | |
| 5.5 | Δ230/Y460 | 3515 | 13.3/6.67 | UL • IP55 • ISO F |
| | YY208/Y – | | 14.8 | PTC 155°C (311°F) |



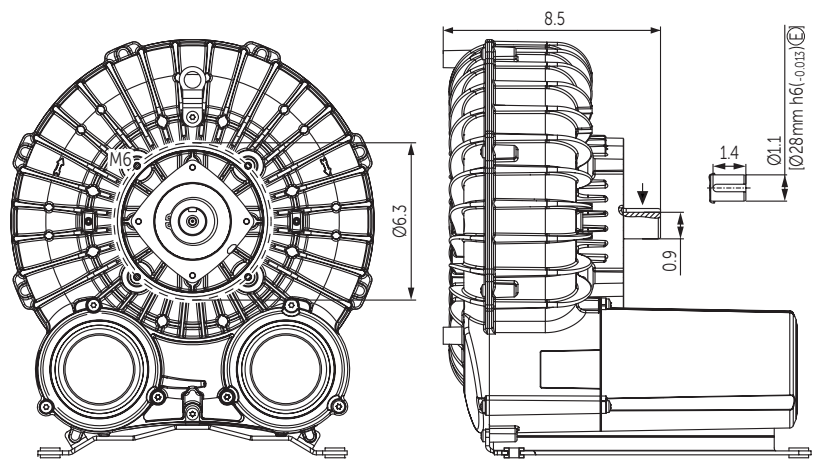
WITHOUT MOTOR

- With coupling for flange motor
- The motor must be supported!



WITHOUT MOTOR

- With free shaft end
- Max. 5600 rpm with V-belt pulley
- Possible performance data see VARIAIR SV 300/1¹⁾



OTHER VARIANTS AND ACCESSORIES

- With increased corrosion protection
- VARIAIR SV 300/1 with frequency inverter VAU4/4 for 87 Hz operation¹⁾
- VARIAIR SV 300/1 with frequency inverter VAU7.5/3 for 100 Hz operation¹⁾
- VARIAIR SV 300/1 gas-tight (inert gases) with frequency inverter VAU7.5/3 for 100 Hz operation¹⁾
- Sound proof box SH 18¹⁾

¹⁾ See separate data sheet
 • Type plate data on current consumption and rotation speed of the motors may vary. Tolerance -1.5/+2% in each case. The motor illustration may vary.
 • Dimensions in inch – For other dimensions, see the figure on page 2.



Sound proof box SH 18

MAKE IT BECKER.

