


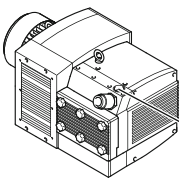







BETRIEBSANLEITUNG  
OPERATING INSTRUCTIONS  
INSTRUCTIONS DE SERVICE  
ISTRUZIONI D'USO  
HANDLEIDING  
INSTRUCCIONES PARA EL MANEJO  
MANUAL DE INSTRUÇÕES  
NAUDOJIMOSI INSTRUKCIJA  
KASUTUSJUHEND  
LIETOŠANAS INSTRUKCIJA  
DRIFTSINSTRUKS  
DRIFTSINSTRUKTIONER  
DRIFTSVEJLEDNING  
INSTRUKCJA OBSŁUGI

KEZELÉSI ÚTMUTATÓ  
NÁVOD K OBSLUZE  
NAVODILO ZA UPORABO  
NÁVOD NA OBSLUHU  
UPUTE ZA RAD  
MANUAL DE OPERATII  
TREORACHA OIBRIÚCHÁIN  
ΟΔΗΓΙΕΣ ΧΡΗΣΗΣ  
EL KITABI  
ИНСТРУКЦИИ ЗА ЕКСПЛОАТАЦИЯ  
ИНСТРУКЦИЯ ПО ЕКСПЛУАТАЦИИ  
取扱説明書  
사용설명서  
使用说明书

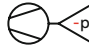
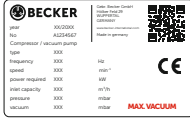


# KVX 3.100

MAKE IT BECKER.


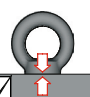


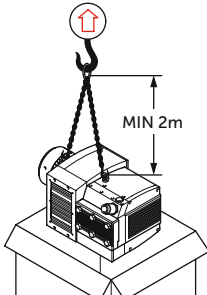


 	
	
 <p><b>AIR</b></p>	
	
	
	



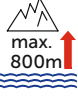
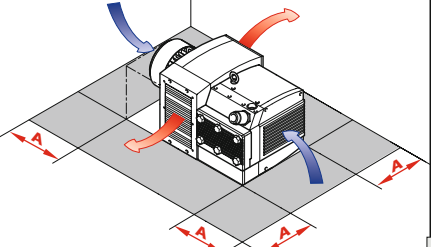
1

 <p><b>MAX. VACUUM</b></p>	 <p>mbar</p>
 <p><b>MAX.</b></p>	 <p>m<sup>3</sup>/h</p>
<p><b>L<sub>pA</sub></b> )))</p> <p>DIN EN ISO 11203 Accuracy Class 2 K<sub>pa</sub> = 3 dB(A) l ← 1m</p>	<p>L<sub>pA</sub> = 75 dB(A) - 50Hz L<sub>pA</sub> = 77 dB(A) - 60Hz</p>


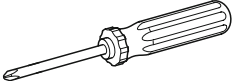

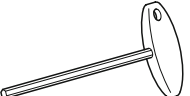

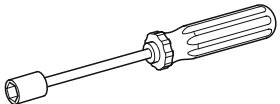
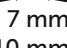
2

			 <p>101 kg 223 lbs</p>
 <p>MIN 2m</p>			

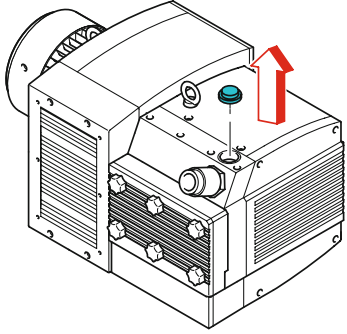
3

<p>A &gt; 100mm A &gt; 4"</p>	 <p>&gt; 5°C/41°F &lt; 45°C/113°F</p>	 <p>max. 90%</p>	 <p>max. 800m</p>
			

4

 <p>No. 2</p>	
 <p>5 mm</p>	
 <p>7 mm</p>	
 <p>10 mm</p>	

5



6

**MOTOR-PROTECTION**

=

(CF 1,XX)		SERVICE FACTOR
50Hz	60Hz	
XXX / XXX V	XXX / XXX V	X RATED CURRENT
(XX / XX A)	(XX / XX A)	

7

8

optional

Bi-metal

PTC

<sup>1)</sup> motor protection switch

9

10

**VACUUM**

11

<b>BECKER</b>		Color: Becker GmbH Industrie-Post 20 WUTROPTAL Germany Made in Germany		
year	XXX/20XX			
no.	A1234567	Compressor / vacuum pump		
type	XXX	Hz		
frequency	XXX	mm <sup>3</sup>		
speed	XXX	kW		
power required	XXX	m <sup>3</sup> /h		
inlet capacity	XXX	mbar		
pressure	XXX	mmHg		
vacuum	XXX	mmHg		

12

Maintenance



13


14

<p><b>CLEANING INTERVAL</b></p>	<p>SUCTION AIR</p>	<p>40h ↑ ↓ 200h</p>	<p>EN149 - FFP3 42 CFR 84 - N100</p>

15

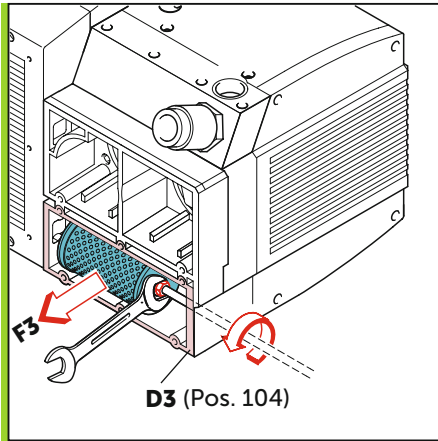
<p>1.</p>
<p>2.</p>

16

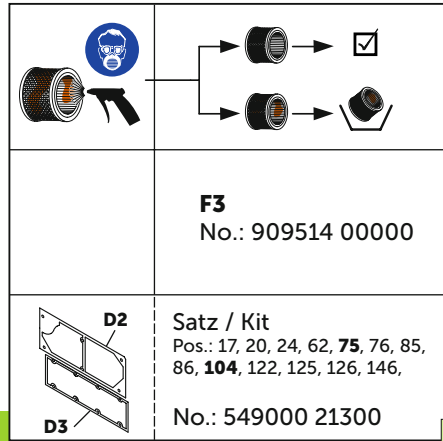
	<p><b>F1 = F2</b> No.: 90950701</p>
--	---

17

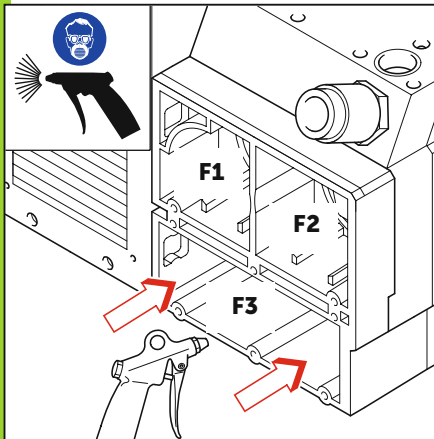
18



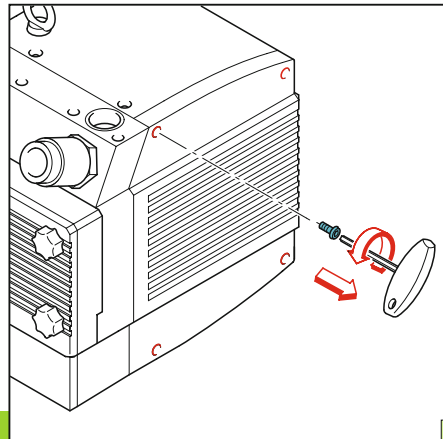
19



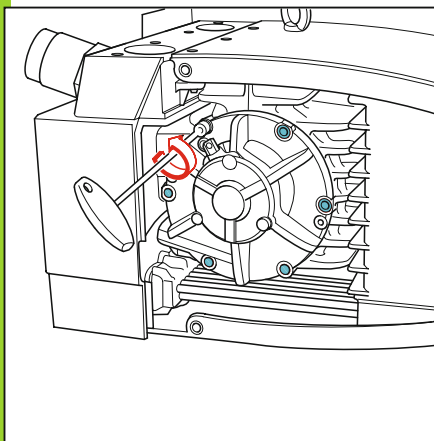
20



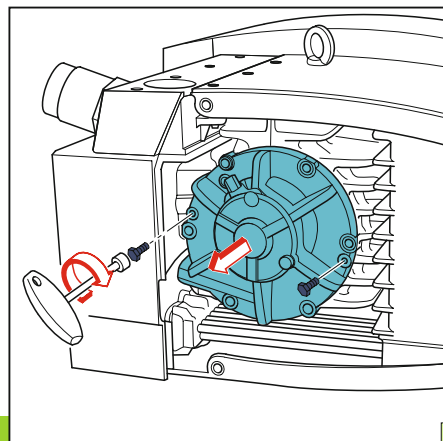
21



22



23



24

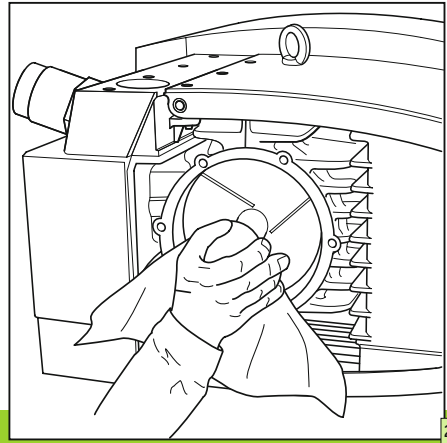
**7500 h**

$A_{MAX} = 37\text{mm}$   
 $A_{MIN} = 26\text{mm}$

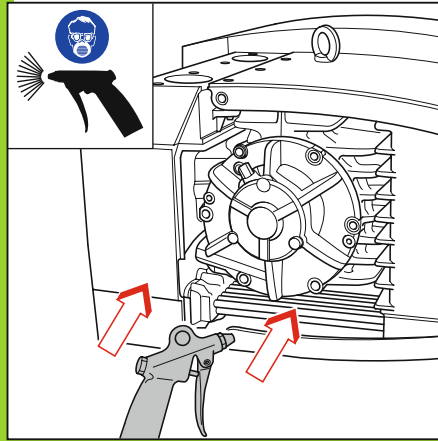
$A_T < 26\text{mm}$  ⚠

→ No. 90140200004 (SET)

25



26



27

**2000 h**

No. 74330500000

1.  = ON

2. Special grease

10x  $\rightarrow$   $\leftarrow$  (~5g)

28

<b>A</b>	8x	⚙️	11Nm
<b>B</b>	4x	⚙️	3Nm
<b>C</b>	4x	⚙️	3Nm

⚠

5

29

**i+**

?

[www.becker-international.com](http://www.becker-international.com)

30



[WWW.BECKER-INTERNATIONAL-SHOP.COM](http://WWW.BECKER-INTERNATIONAL-SHOP.COM)

Gebr. Becker GmbH  
Hölker Feld 29-31  
42279 WUPPERTAL  
GERMANY  
[info@becker-international.com](mailto:info@becker-international.com)  
[www.becker-international.com](http://www.becker-international.com)





**MAKE IT BECKER.**

281.0050802 | 2023-03-14 | All rights reserved