

DATA SHEET

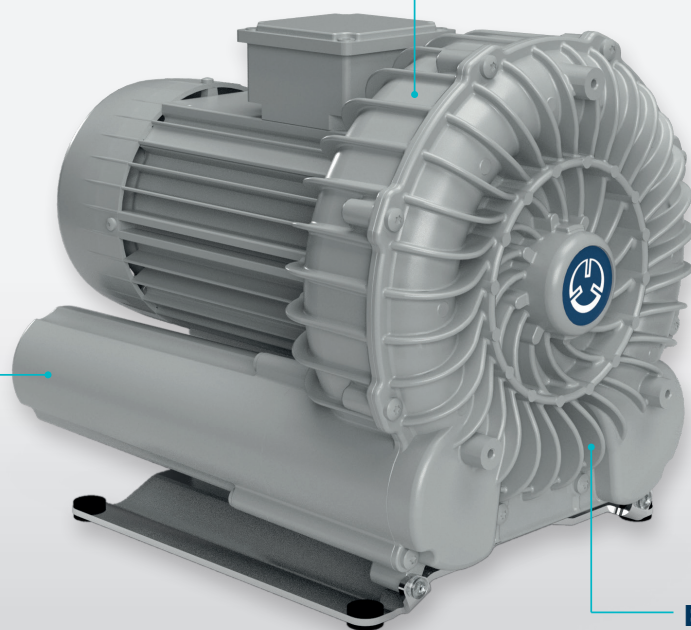
SV 130/1

SIDE CHANNEL VACUUM PUMPS

single stage
air-cooled

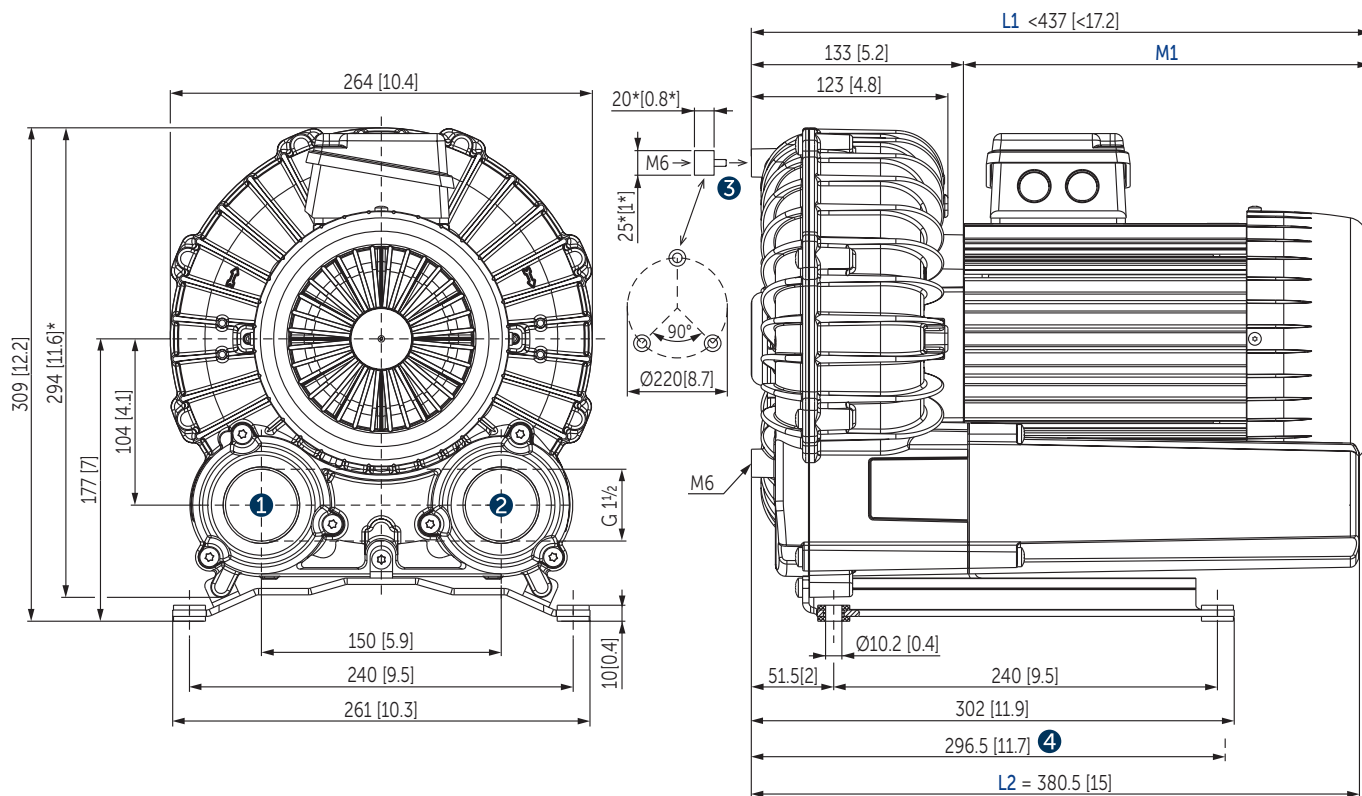
MAKE IT BECKER.

**COMPACT DUE
TO INTEGRABLE
ACCESSORIES**



**100% OIL-FREE AND
CONTACTLESS OPERATION**

**EFFICIENT AND
MAINTENANCE-FREE**



1 Vacuum connection (G1½)

2 Pressure connection (G1½)

3 Rubber buffer position (optional)

4 Short silencers (optional)

L Blower length **L1** with motor and **L2** without motor.

L1 and **M1** are variable, see separate motor specification sheet. → The total blower length is **L1** or **L2**.

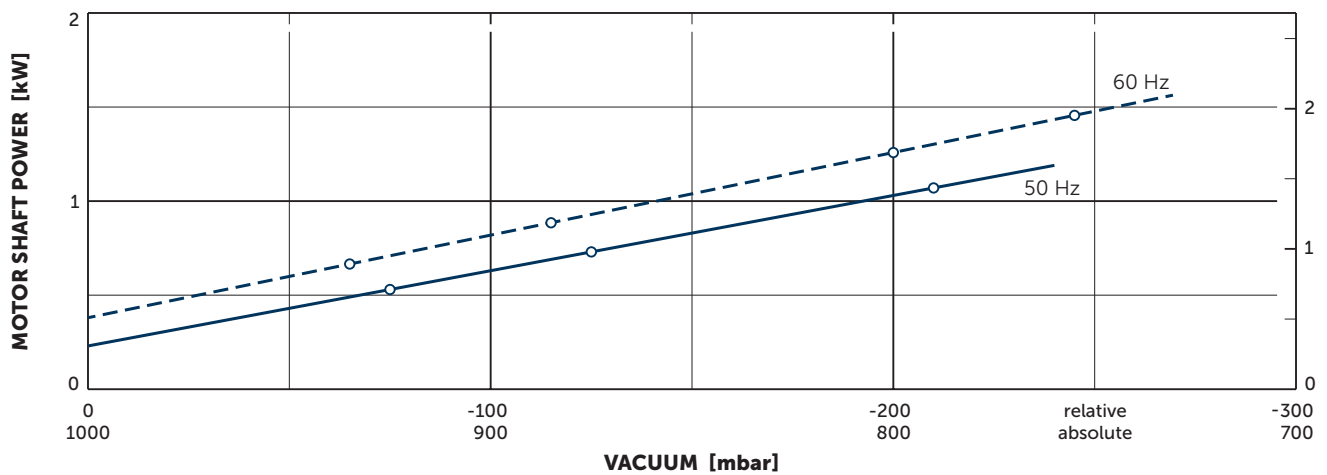
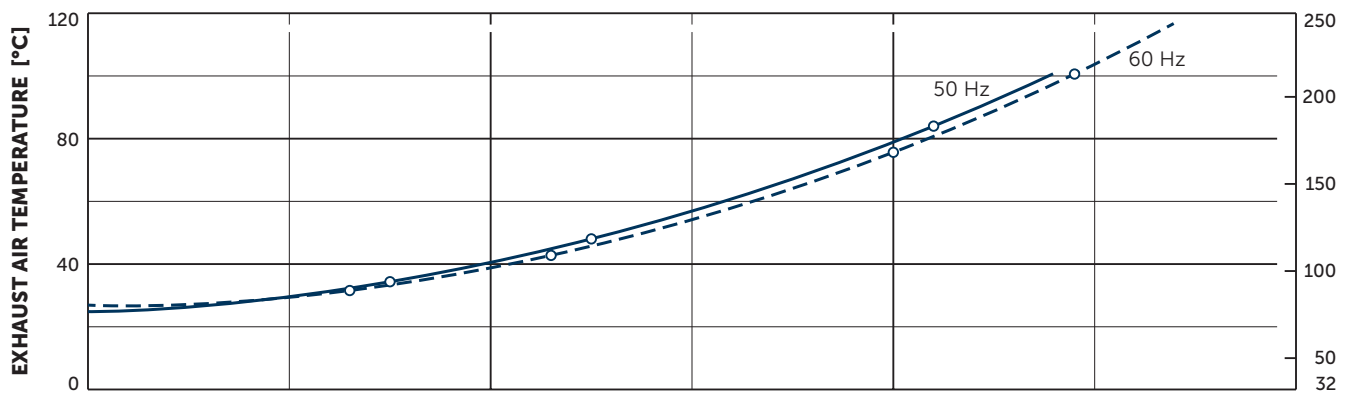
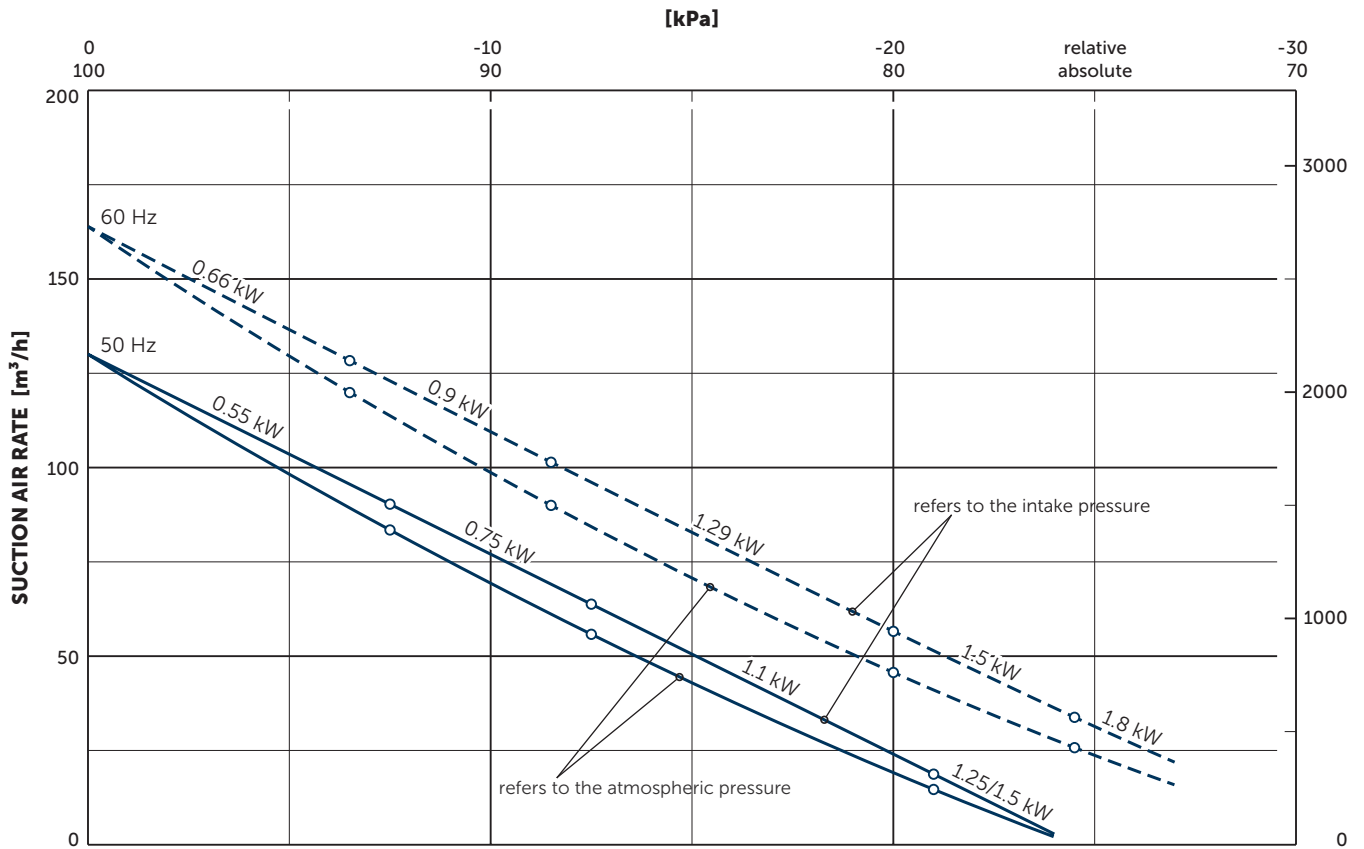
* Device dimensions without pedestal under the silencer, with rubber buffers on the enclosure cover

▪ The motor illustration may vary

▪ Dimensions in mm [inch]

Suction air rate		Vacuum relative		Installed motor power		Emission sound pressure level ¹⁾		Weight incl. motor
m ³ /h		mbar		kW		dB(A)		kg
50 Hz	60 Hz	50 Hz	60 Hz	50 Hz	60 Hz	50 Hz	60 Hz	
130	160	-75	-65	0.55	0.66	60.9 (-50 mbar)	63.6 (-50 mbar)	21.0
130	160	-125	-115	0.75	0.9	60.9 (-50 mbar)	63.6 (-50 mbar)	22.0
130	160	-210	-200	1.1	1.29/1.3	63.4 (-140 mbar)	64.8 (-140 mbar)	22.5
130	160	-240	-245	1.25	1.5	63.4 (-140 mbar)	64.8 (-140 mbar)	24.5
130	160	-240	-270	1.5	1.8	64.0 (-160 mbar)	65.4 (-160 mbar)	26.0

¹⁾ According to DIN EN ISO 11203, accuracy class of measurement: class 2, extended measurement uncertainty: 3 dB
1 m [39.4 inch] distance, at medium load, both connection sides piped

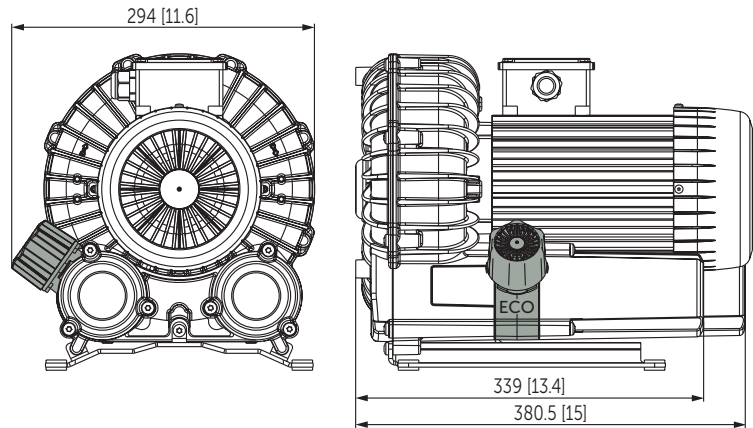


Reference data (atmosphere): 1000 mbar (100 kPa), 20°C (68°F)
 Tolerance: ±10%

+ VARIANTS AND ACCESSORIES

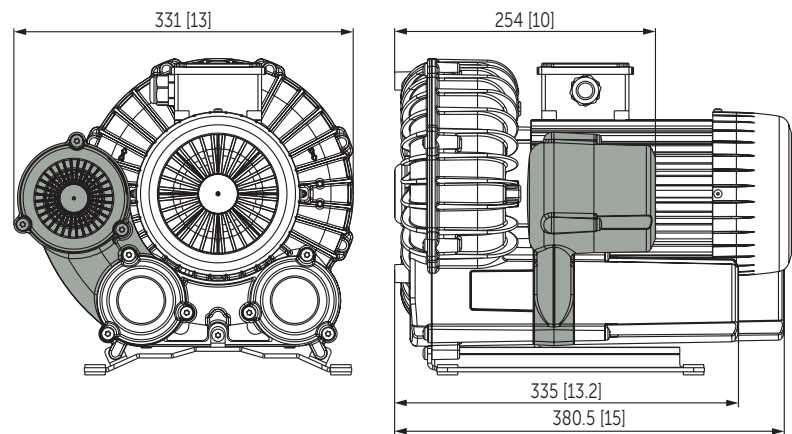
ECO VACUUM SAFETY VALVE

- The application is pressure dependent.



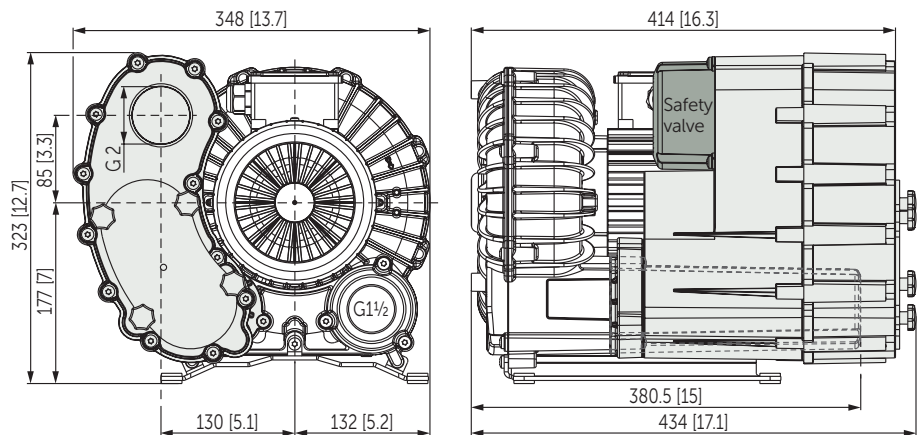
VACUUM SAFETY VALVE

- The application is pressure dependent.



SUCTION FILTER

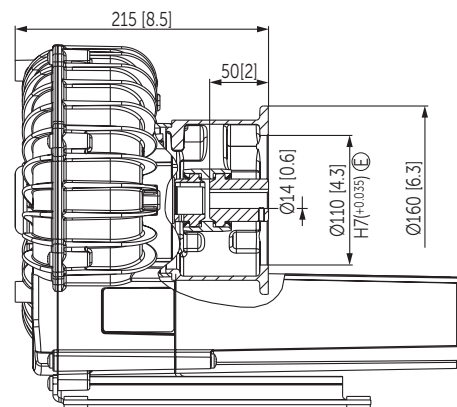
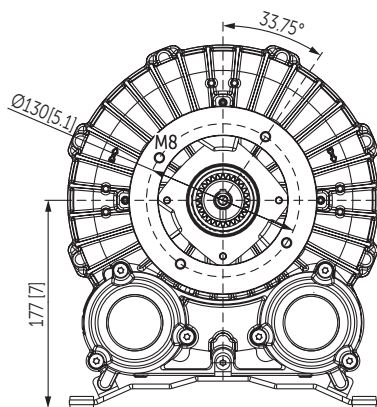
- Vacuum-sealed filter housing
- Paper or polyester insert
- Can be combined with vacuum safety valve



- Dimensions in mm [inch] – Further dimensions can be found in the illustration on page 2.
- The motor illustration may vary
- Combination options on request

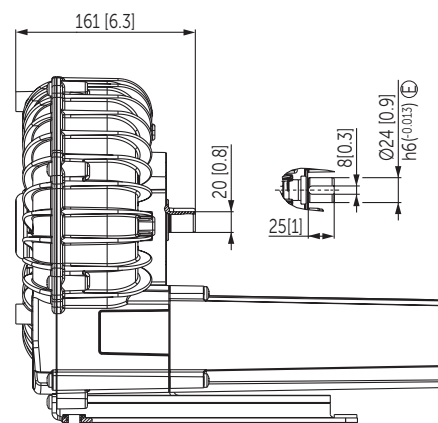
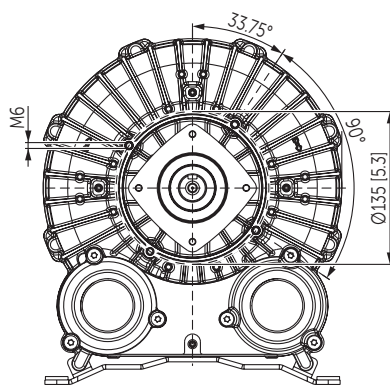
WITHOUT MOTOR

- With coupling for flange motor



WITHOUT MOTOR

- With free shaft end
- Max. 5600 rpm with V-belt pulley, performance data of VARIAIR SV 130/1



OTHER VARIANTS AND ACCESSORIES

- VARIAIR SV 130/1¹⁾ – Side channel blowers with frequency inverter for 100 Hz operation
- Without pedestal under the silencers, with rubber buffers on the enclosure cover
- Short or long silencers
- Increased corrosion protection
- External suction filters¹⁾
- Sound proof box SH 18¹⁾



VARIAIR SV 130/1



SH 18

¹⁾ See separate data sheet

- Dimensions in mm [inch] – For other dimensions, see the figure on page 2.
- Possible combinations on request

MAKE IT BECKER.

HOMEPAGE
SV SERIES



DOWNLOAD
MOTOR SPECS.



ONLINE SHOP
SV 130/1

