

DATA SHEET

SV 1.50/3

SIDE CHANNEL BLOWERS

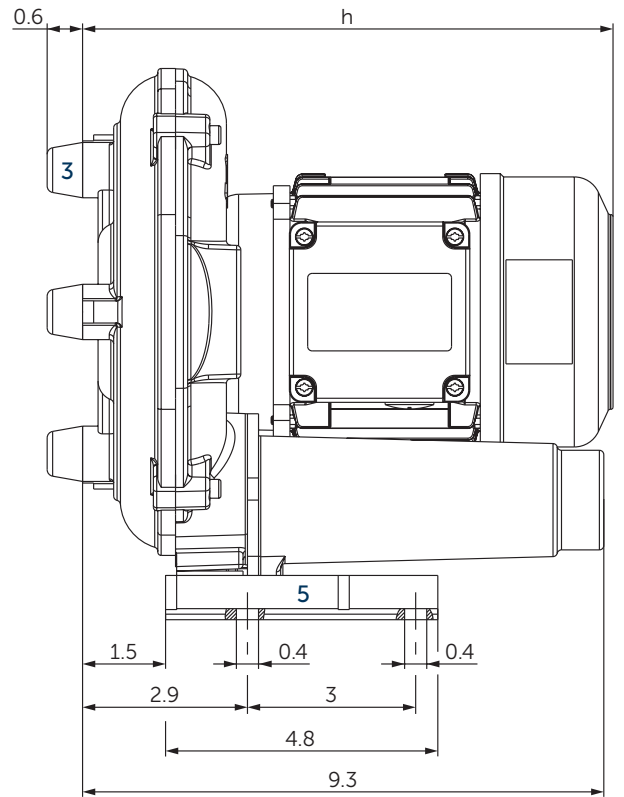
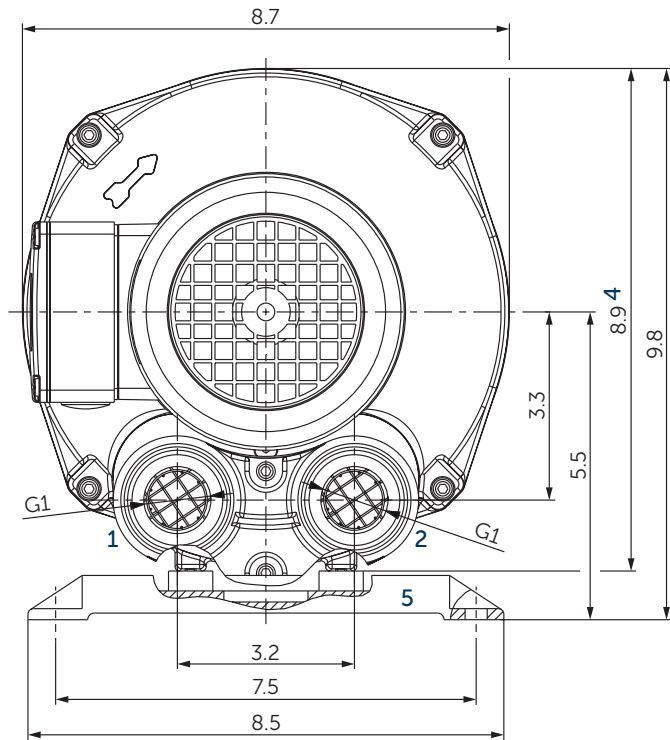
single stage

air-cooled

MAKE IT BECKER.



SV 1.50/3 INCLUDING RUBBER BUFFERS (STANDARD)
SV 1.50/3-01 INCLUDING PEDESTAL (OPTIONAL)



- 1 Vacuum connection (G1)
- 2 Pressure connection (G1)
- 3 Including rubber buffers for vertical installation
- 4 Dimension for SV 1.50/3 without pedestal
- 5 Pedestal of optional version SV 1.50/3-01 for horizontal installation
- Further options: external safety valve, external suction filter
- The motor illustration may vary
- Dimensions in inch

Blast air rate		Pressure				Emission sound pressure level ¹⁾		Weight incl. motor ²⁾
CFM		in. H ₂ O		PSIG		dB(A)		lbs
50 Hz	60 Hz	50 Hz	60 Hz	50 Hz	60 Hz	50 Hz	60 Hz	
24	28	40.2	40.2	1.45	1.45	62	63	≈17.6

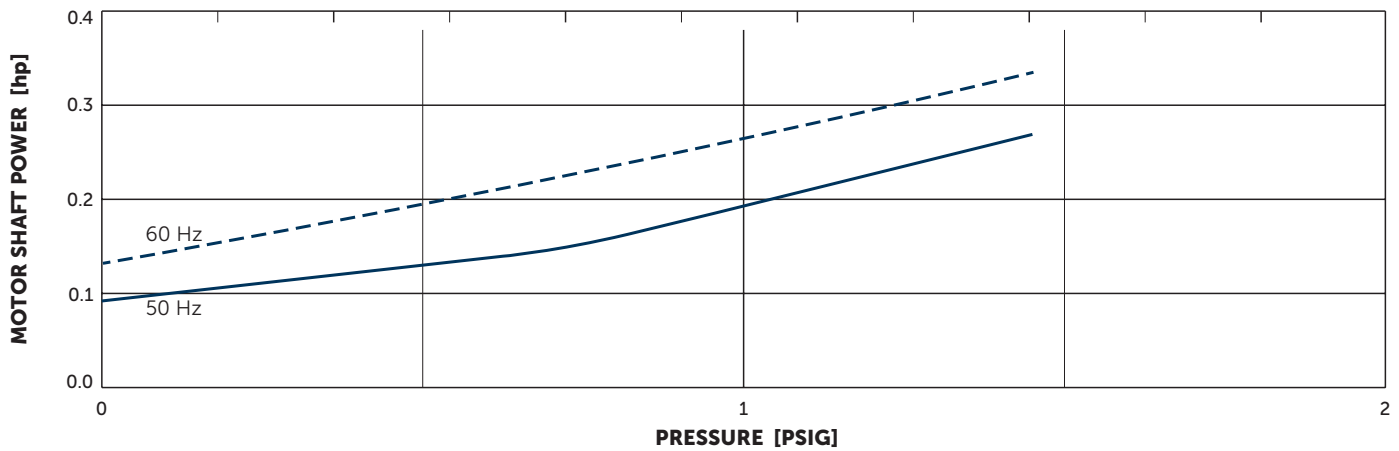
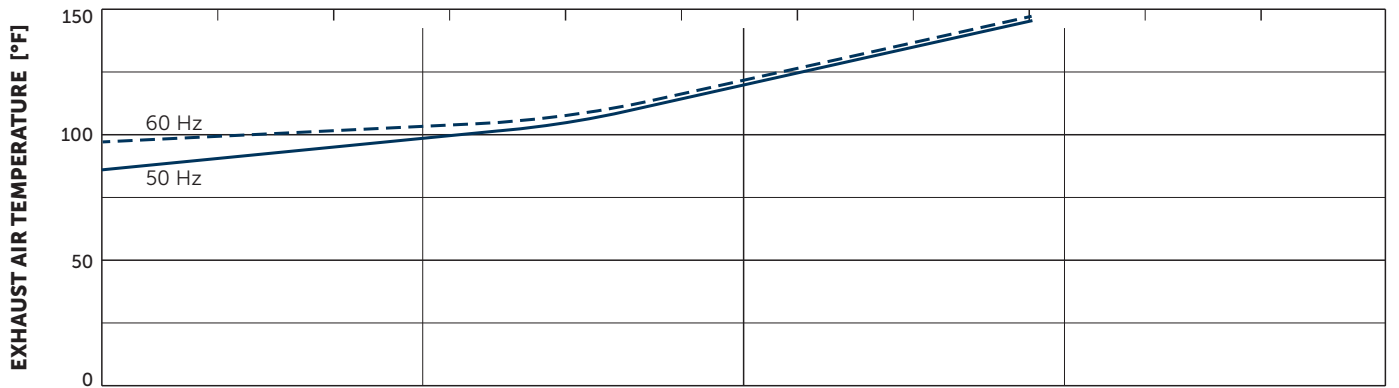
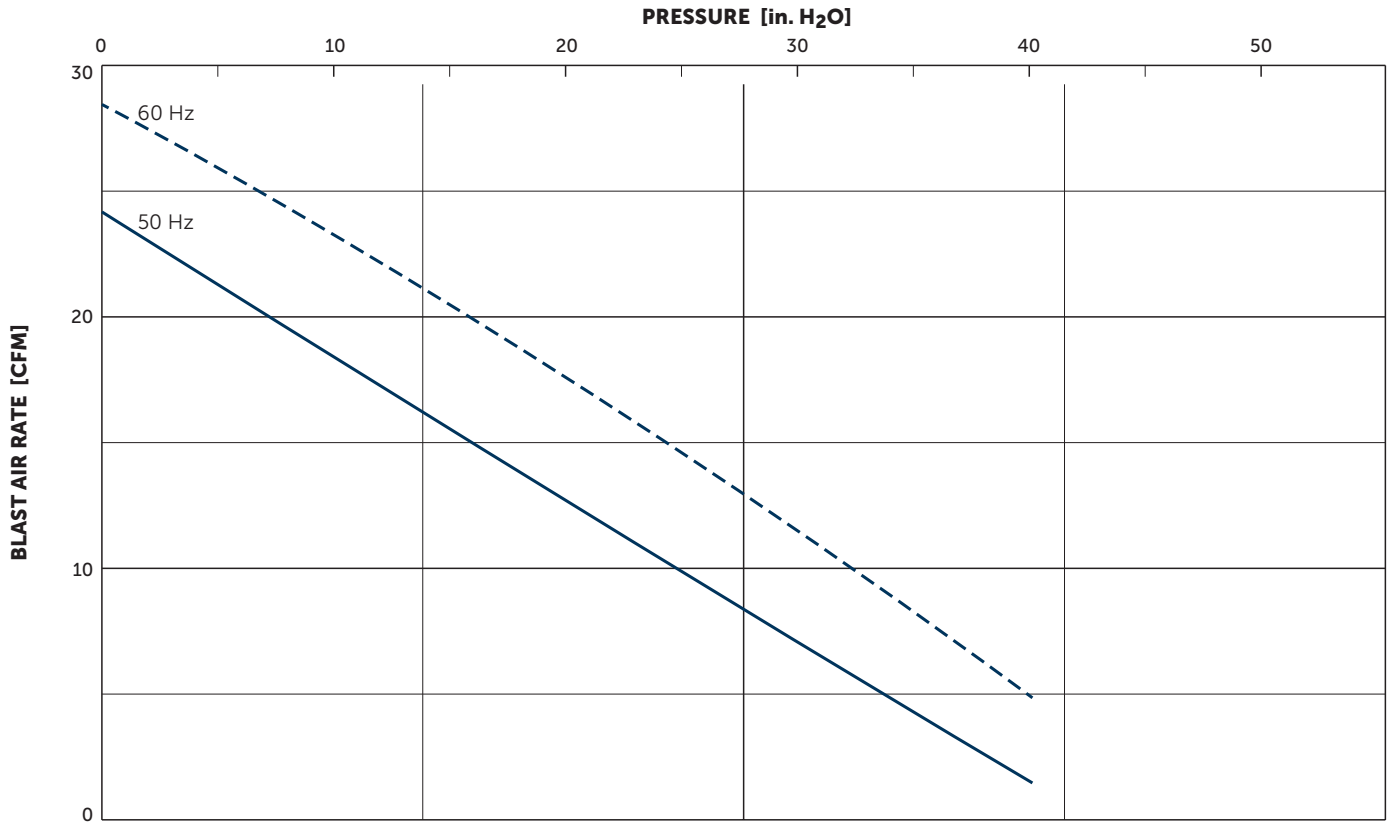
¹⁾ According to DIN EN ISO 3744 (KpA = 3 dB(A)), 39.4 inch distance, at medium load, both connection sides piped

²⁾ Depending on the motor

3~ Motors											h
#	50 Hz					60 Hz				Version	inch
	hp	V	rpm	A	hp	V	rpm	A			
01	0.24	Δ230/Y400	IE2	2805	0.78/0.45	0.30	Δ265/Y460 Y400	3385 3270	0.80/0.46 0.53	IP55 • ISO F • bimetal	9.5
02	0.24	Δ400/Y690	IE2	2880	0.61/0.35	0.30	Δ460 Δ400	3470 3425	0.57 0.48	IP55 • ISO F • bimetal	9.5
03	0.24	175–260/ 300–450		2750	1.25/0.78	0.28	202–300/ 350–520	3250	1.38/0.80	IP54 • ISO F	9.3

1~ Motor											h
#	50 Hz				60 Hz (on request)				Version	inch	
	hp	V	rpm	A	hp	V	rpm	A			
01	0.2	230 ±10%	2750	1.4						IP54 • ISO F 5 μF (400 V)	8.5

- Current consumption and rotation speed may vary. Tolerance in each case -1.5/+2%



Reference data (atmosphere): 0 in. HgV, 68°F; Tolerance: ±10%
 Temperature: Inlet air 32°F ... 104°F, Ambient air 3~14°F ... 104°F, Ambient air 1~59°F ... 104°F



MAKE IT BECKER.