

DATA SHEET

**SV 200/1**

# **SIDE CHANNEL VACUUM PUMPS**

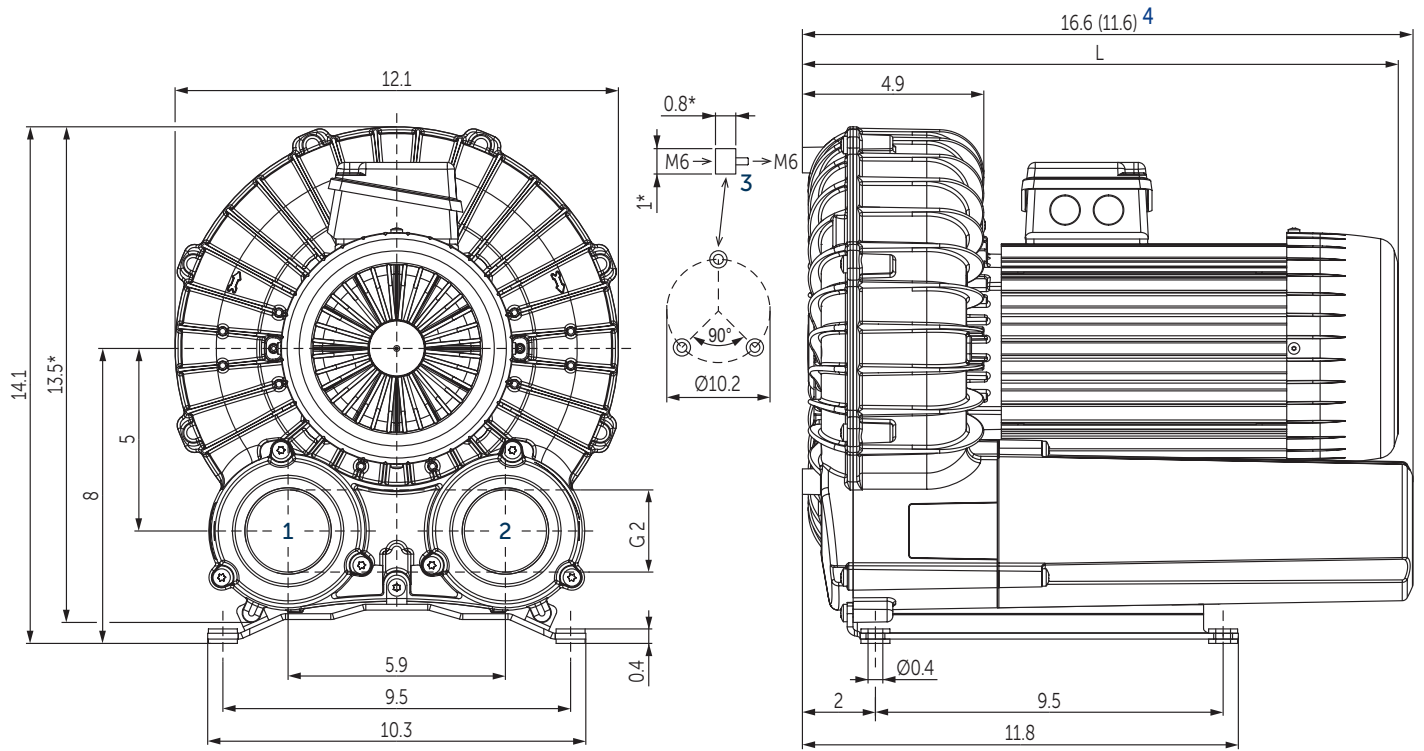
single stage

air-cooled

---

**MAKE IT BECKER.**





- 1 Vacuum connection (G2)
- 2 Pressure connection (G2)
- 3 Optional vibration dampers (rubber buffer) for vertical installation
- 4 Optional with shorter silencers
- \* Device dimensions without pedestal under the silencer, with rubber buffers on the enclosure cover
- The motor illustration may vary
- Dimensions in inch

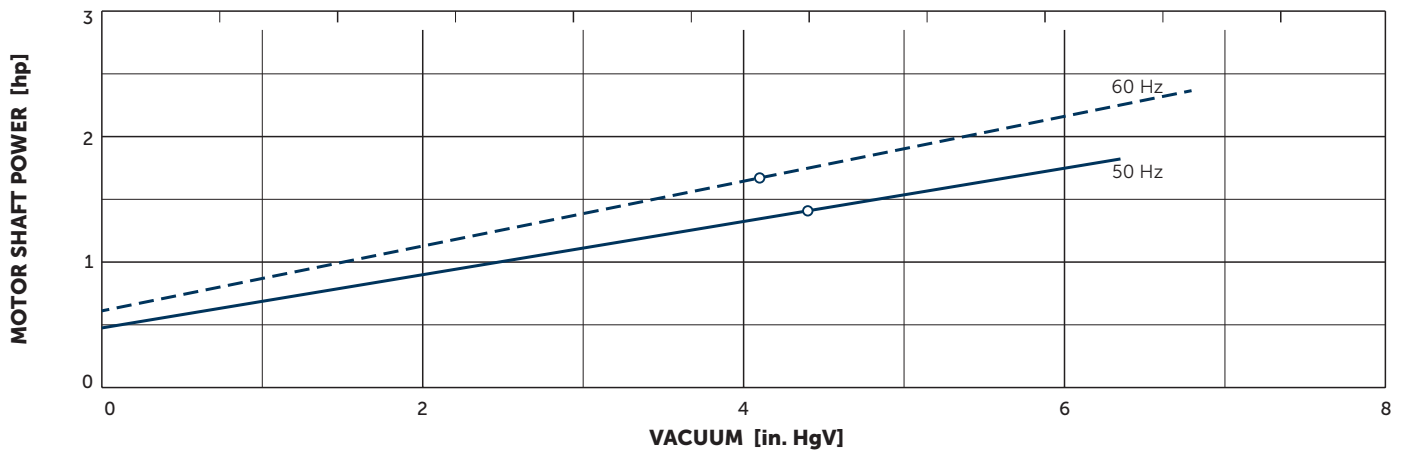
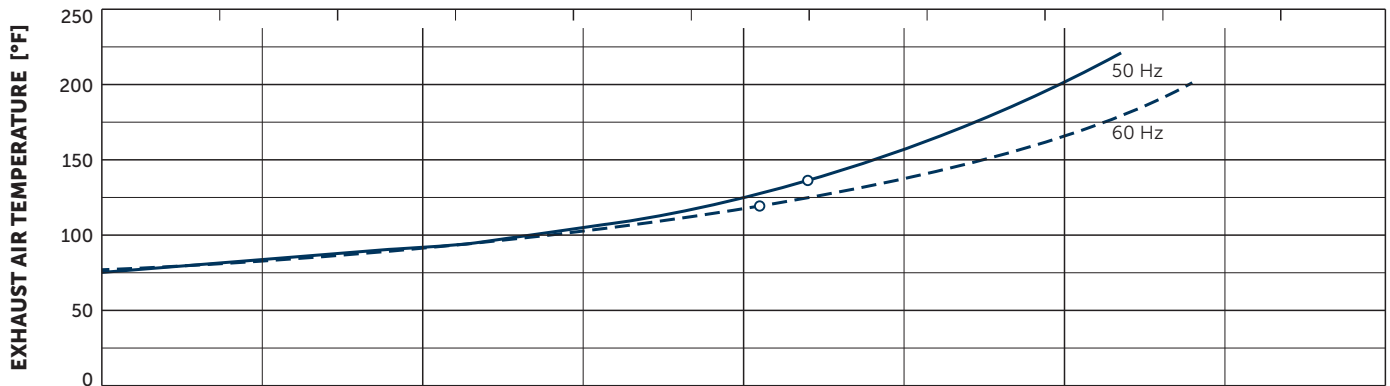
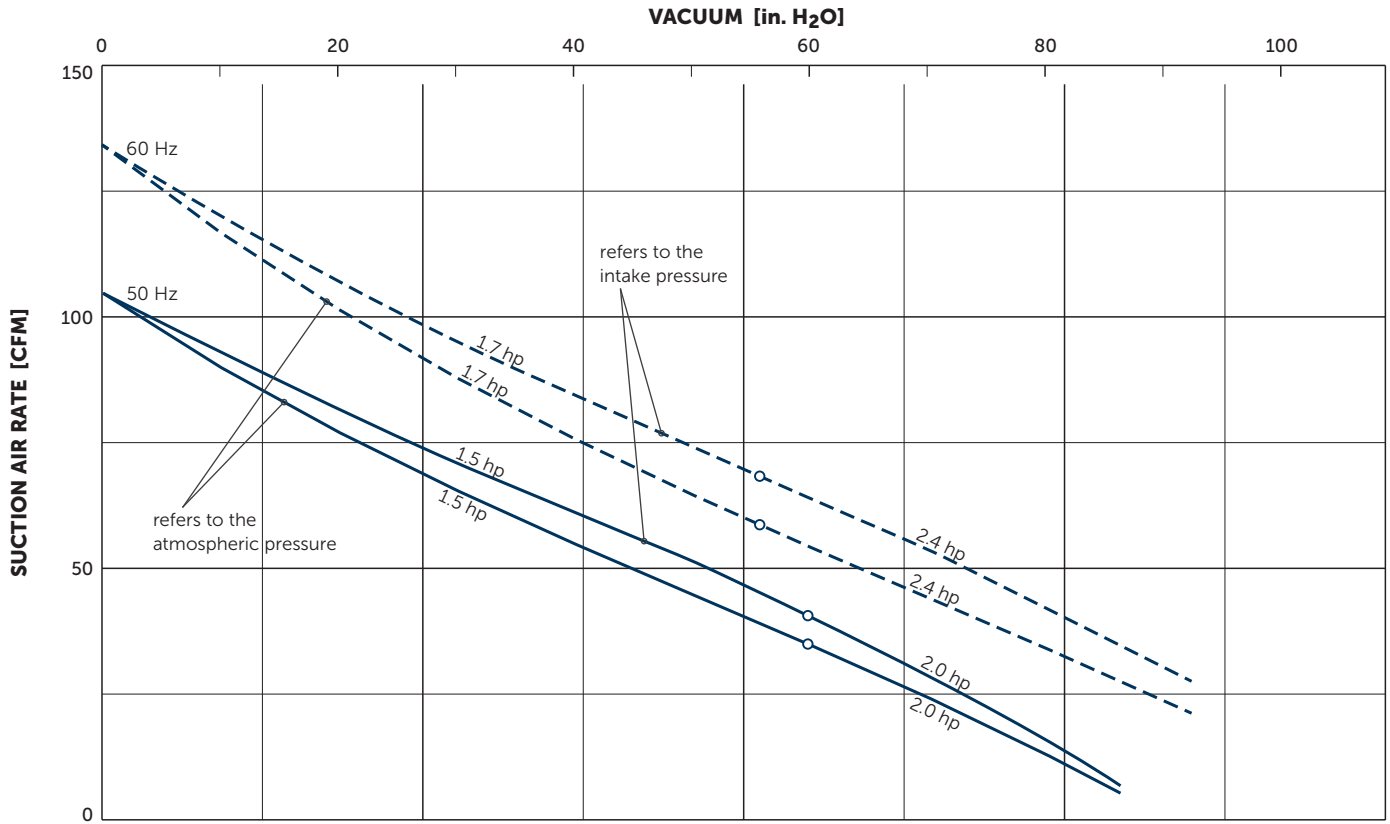
Suction air rate		Vacuum				Motors		Emission sound pressure level <sup>1)</sup>		Weight with motor
CFM		in. H <sub>2</sub> O		in. HgV		hp		dB(A)		lbs
50 Hz	60 Hz	50 Hz	60 Hz	50 Hz	60 Hz	50 Hz	60 Hz	50 Hz	60 Hz	
105	135	60.3	56.2	4.4	4.1	1.5	1.7	63.9 (58.3 in. H <sub>2</sub> O)	69.2 (66.3 in. H <sub>2</sub> O)	56.5
105	135	86.4	92.5	6.3	6.8	2.0	2.4	63.9 (58.3 in. H <sub>2</sub> O)	69.2 (66.3 in. H <sub>2</sub> O)	63.0

<sup>1)</sup> According to DIN EN ISO 11203, accuracy class of measurement: class 2, extended measurement uncertainty: 3 dB  
39.4 inch distance, at medium load, both connection sides piped

3~ Motors											L	
#	50 Hz				60 Hz				Version	inch		
	hp	V	rpm	A	hp	V	rpm	A				
01	1.5	Δ230/Y400	IE3	2870	4.3/2.5	1.7	Δ265/Y460 Δ230/Y400	IE3	3460 3395	4.3/2.5 4.7/2.7	UL • CSA IP55 • ISO F • bimetal	15.4
02						1.7	YY230/Y460 YY208/Y –	IE3 –	3465 3430	4.8/2.4 5.05/ –	UL • CSA • CC IP55 • ISO F • bimetal	16.8
03	1.5	Δ200/Y350	IE3	2875	5.0/2.9	1.7	Δ220/Y380–400 Δ200/Y350	IE3	3462 3405	5.0/2.9–3.0 5.2/3.0	IP55 • ISO F • bimetal	15.4
04	2.0	Δ230/Y400	IE3	2897	5.6/3.25	2.4	Δ265/Y460 Δ230/Y400	IE3	3487 3449	5.6/3.25 6.0/3.45	UL • CSA • CC IP55 • ISO F • bimetal	16.8
05						2.4	YY230/Y460 YY208/Y –	IE3	3490 3470	6.9/3.45 6.85/ –	UL • CSA • CC IP55 • ISO F • bimetal	16.8
06	2.0	Δ200/Y350	IE3	2905	7.4/4.3	2.4	Δ220/Y380–400 Δ200/Y350	IE3	3480 3450	7.2/4.3–4.2 7.2/4.2	IP55 • ISO F • bimetal	17.0

1~ Motors											L	
#	50 Hz				60 Hz				Version	inch		
	hp	V	rpm	A	hp	V	rpm	A				
01	1.1	230 ±10%		2855	6.7	1.3	230 ±10%		3375	7.9	UL • CSA IP55 • ISO F • bimetal	15.4
02	1.5	230 ±10%		2860	8.9	1.8	230 ±10%		3350	11.0	UL • CSA IP55 • ISO F • bimetal	17.0

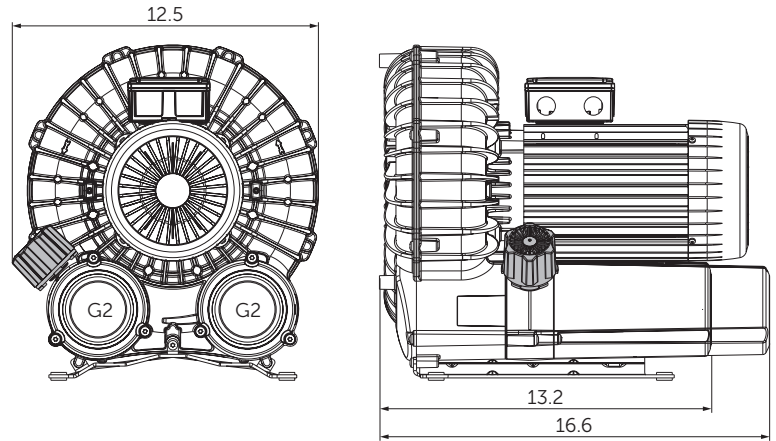
- Type plate data on current consumption and rotation speed of the motors may vary. Tolerance -1.5/+2% in each case.



Reference data (atmosphere): 0 in. HgV, 68°F; Tolerance: ±10%  
 Temperature: Inlet air 32°F ... 104°F, Ambient air 3~14°F ... 104°F, Ambient air 1~59°F ... 104°F

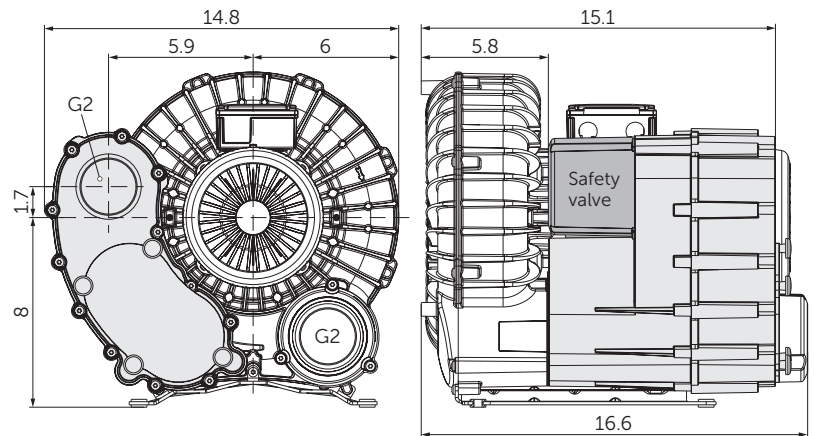
## + VARIANTS AND ACCESSORIES

### VACUUM SAFETY VALVE



### SUCTION FILTER

- Vacuum-sealed filter housing
- Paper or polyester insert
- Can be combined with vacuum safety valve



### OTHER VARIANTS AND ACCESSORIES

- Without pedestal under the silencers, with rubber buffers on the enclosure cover
- Vacuum/pressure connection G1½ instead G2
- Short or long silencers
- Increased corrosion protection
- External suction filter
- Sound proof box SH 18<sup>1)</sup>



Sound proof box SH 18

<sup>1)</sup> See separate data sheet

- Dimensions in inch – For other dimensions, see the figure on page 2.
- Possible combinations on request

**MAKE IT BECKER.**

