


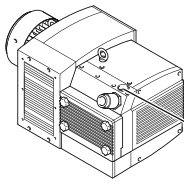







BETRIEBSANLEITUNG  
OPERATING INSTRUCTIONS  
INSTRUCTIONS DE SERVICE  
ISTRUZIONI D'USO  
HANDLEIDING  
INSTRUCCIONES PARA EL MANEJO  
MANUAL DE INSTRUÇÕES  
NAUDOJIMOSI INSTRUKCIJA  
KASUTUSJUHEND  
LIETOŠANAS INSTRUKCIJA  
DRIFTSINSTRUKS  
DRIFTSINSTRUKTIONER  
DRIFTSVEJLEDNING  
INSTRUKCJA OBSŁUGI

KEZELÉSI ÚTMUTATÓ  
NÁVOD K OBSLUZE  
NAVODILO ZA UPORABO  
NÁVOD NA OBSLUHU  
UPUTE ZA RAD  
MANUAL DE OPERATII  
TEORACHA OIBRIÚCHÁIN  
ΟΔΗΓΙΕΣ ΧΡΗΣΗΣ  
EL KITABI  
ИНСТРУКЦИИ ЗА ЕКСПЛОАТАЦИЯ  
ИНСТРУКЦИЯ ПО ЕКСПЛОАТАЦИИ  
取扱説明書  
사용설명서  
使用说明书


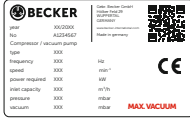

# PICCHIO 2200


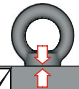


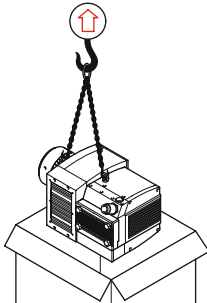
**MAKE IT BECKER.**





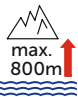
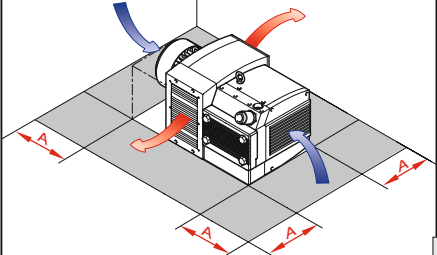
 	
	
 <p><input checked="" type="checkbox"/> <b>AIR</b></p>	 
	 

1


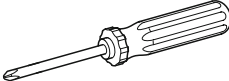



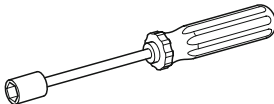
<p><b>MAX. VACUUM</b></p>  <p><b>MAX.</b></p>		<p>mbar</p>
		<p>m<sup>3</sup>/h</p>
<p><b>L<sub>pA</sub></b> )))</p> <p>DIN EN ISO 11203 Accuracy Class 2 K<sub>son</sub> = 3 dB(A) l = 1m</p>	<p>L<sub>pA</sub> = 76 dB(A) - 50Hz L<sub>pA</sub> = 79 dB(A) - 60Hz</p>	<p>2</p>

			 <p>78-86 kg 172-190 lbs</p>
			

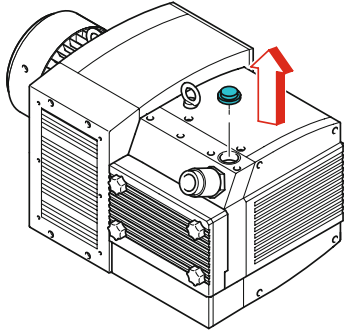
3

<p>A &gt; 100mm A &gt; 4"</p>	 <p>&gt; 5°C/41°F &lt; 45°C/113°F</p>	 <p>max. 90%</p>	 <p>max. 800m</p>
			

4

 <p>No. 2</p>	
 <p>5 mm</p>	
 <p>7 mm 10 mm</p>	

5



6

**MOTOR-PROTECTION**

=

50Hz	60Hz
XXX / XXX V	XXX / XXX V
XXX / XXX A	XXX / XXX A

**SERVICE FACTOR**

X

**RATED CURRENT**

7

optional

Bi-metal

PTC

<sup>1)</sup> motor protection switch

8

9

10

0    2    10 [m]

**VACUUM**

11

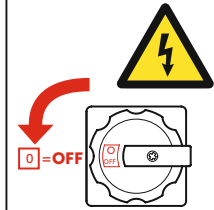
<b>BECKER</b>		Color: Becker GmbH Industrie-Post 20 WUTROTTAL Germany Made in Germany	 <b>CE</b>
year	XXX/20XX	Hz	
no.	A1234567	mm <sup>3</sup>	
Compressor / vacuum pump	type	kW	
type	XXX	m <sup>3</sup> /h	
frequency	XXX	mbar	
speed	XXX	mmHg	
power required	XXX	mmHg	
inlet capacity	XXX	mmHg	
pressure	XXX	mmHg	
vacuum	XXX	mmHg	

12

Maintenance



13



**n=0min<sup>-1</sup>**



14

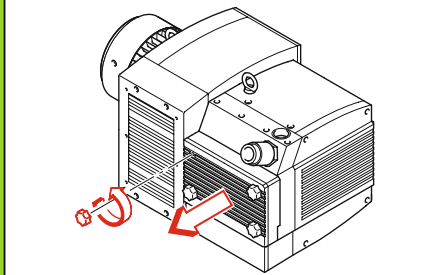
**CLEANING INTERVAL**

SUCTION AIR

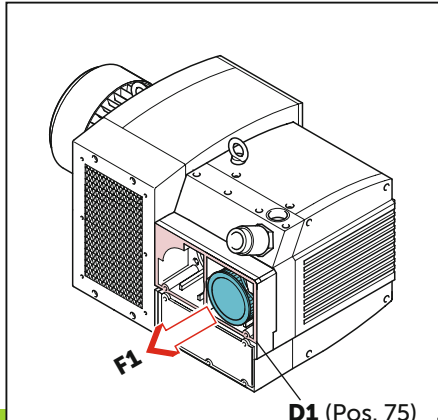
40h

200h

EN149 - FFP3  
42 CFR 84 - N100



15



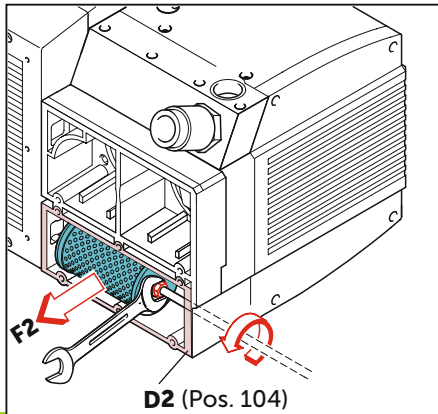
16

optional  
en option  
optionale  
opcional


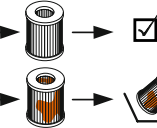
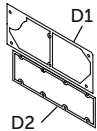
KVT 3.80/0

KVT 3.80/6

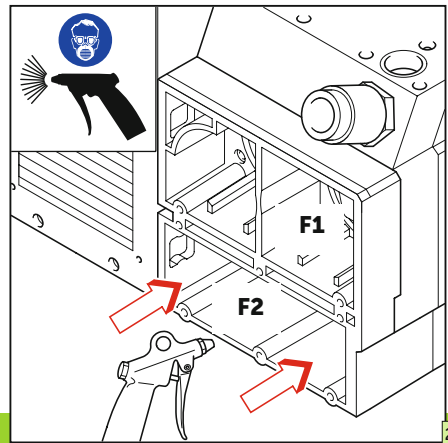
17



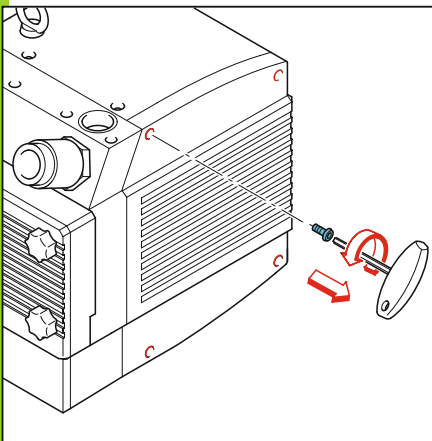
18

	
<p><b>F1</b> (standard) No.: 909507</p>	<p><b>F2</b> (standard) No.: 909510</p>
	<p>Satz / Kit Pos.: 20, 24, 62, 75, 76, 85, 104, 125, 126, 146, 288 No.: 549000 21100</p>

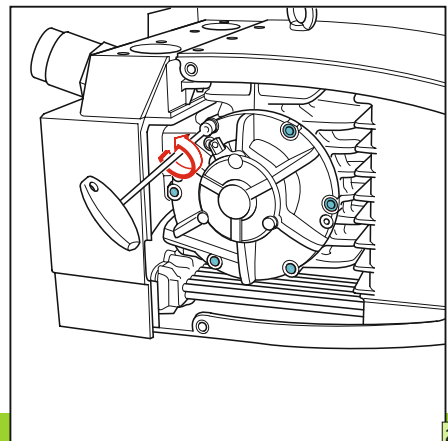
19



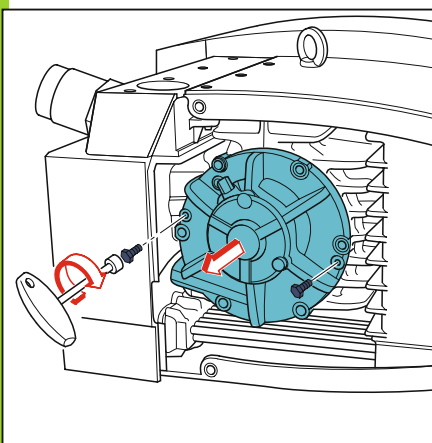
20




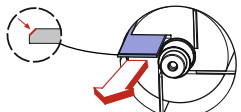
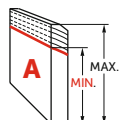

21



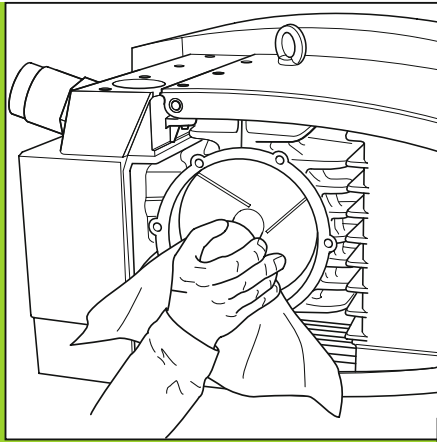
22



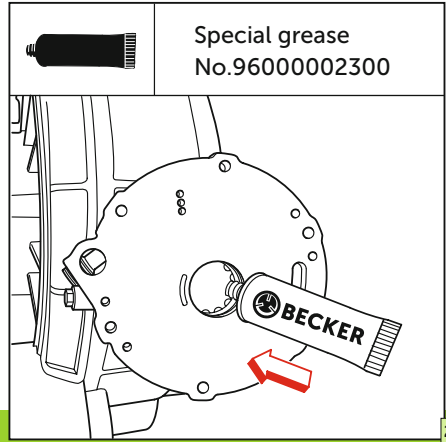
23

 <p><b>3000 h</b></p>	
	<p><math>A_{MAX} = 38mm</math> <math>A_{MIN} = 31mm</math></p> <p><math>A_{spr} &lt; 31mm</math> </p>
<p>Picchio 2200 → No. 90133000004 (SET))</p>	

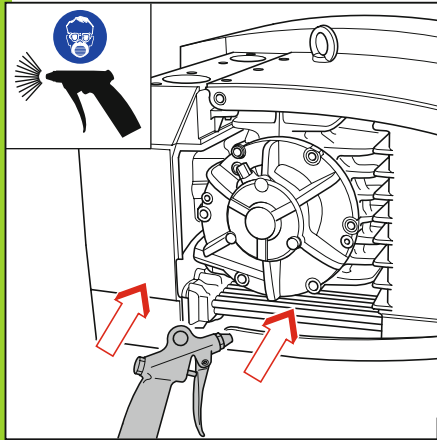
24



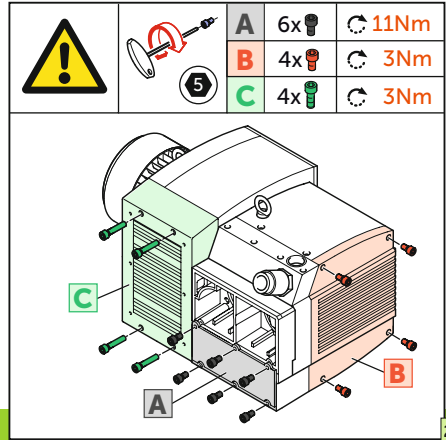
25



26



27



28



29



[WWW.BECKER-INTERNATIONAL-SHOP.COM](http://WWW.BECKER-INTERNATIONAL-SHOP.COM)

Gebr. Becker GmbH  
Hoelker Feld 29-31  
42279 WUPPERTAL  
GERMANY  
[info@becker-international.com](mailto:info@becker-international.com)  
[www.becker-international.com](http://www.becker-international.com)





28100021112 | 2021-12-13 | All rights reserved

**MAKE IT BECKER.**